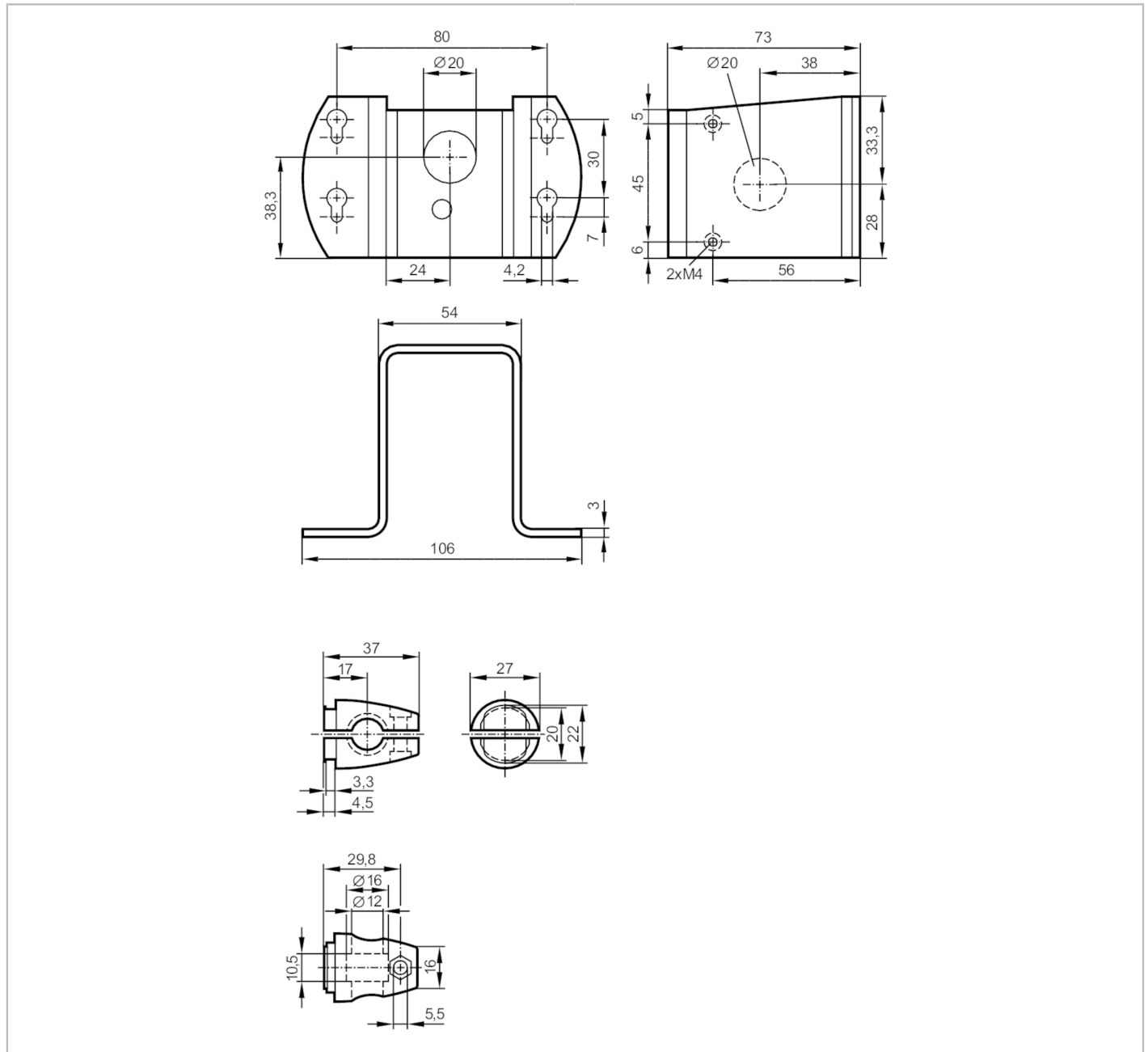


# E2D201



## Mounting set for illumination unit

MOUNTING SET RINGLIGHT



Application	
Design	for ring light illumination units, clamp mounting
Mechanical data	
Weight [g]	387
Dimensions [mm]	61.3 x 106 x 73
Materials	Mounting bracket: stainless steel; Clamp: stainless steel
Accessories	
Accessories (supplied)	screws
Remarks	
Pack quantity	1 pcs.