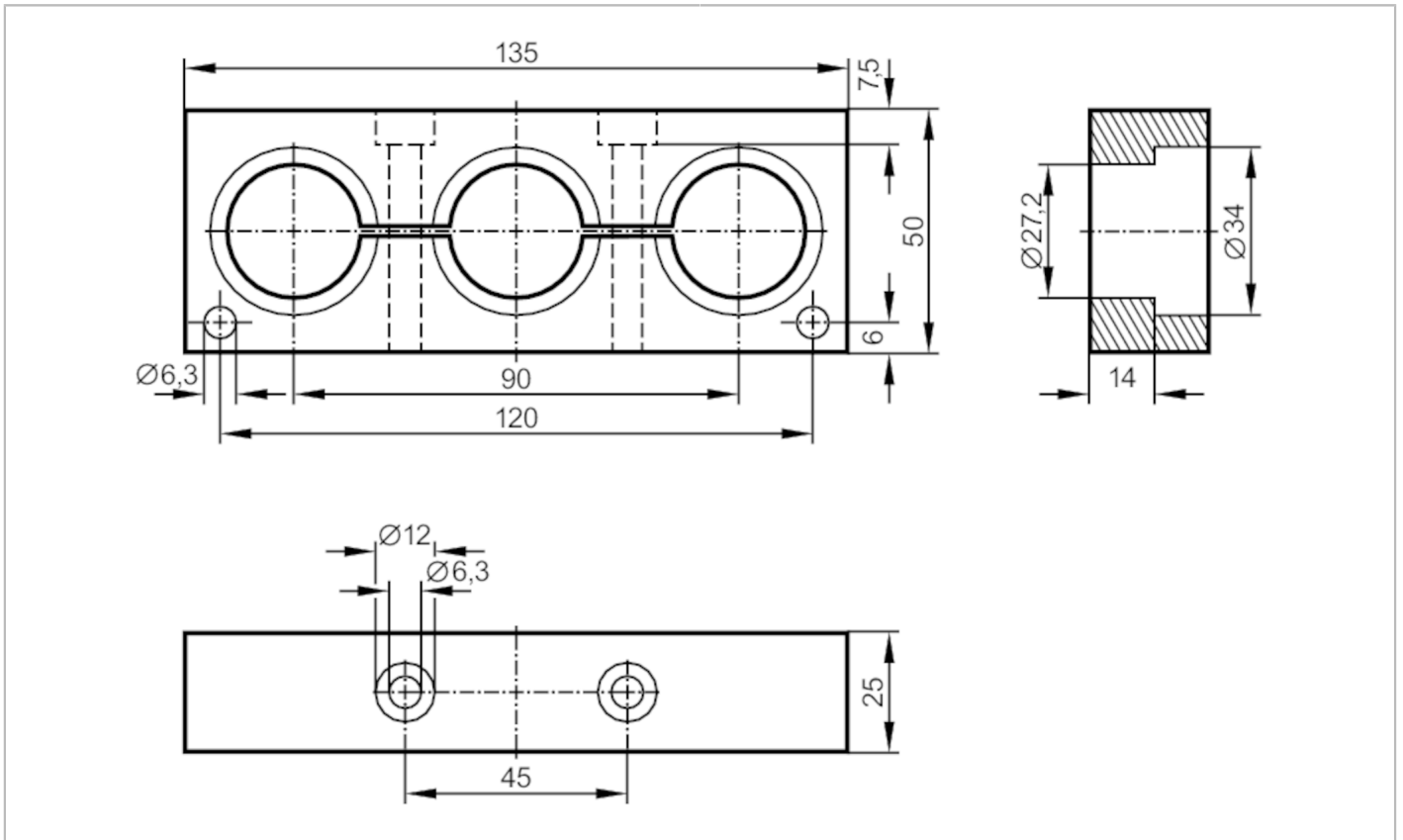


E30079



3-way mounting device for process sensors

MOUNTIG DEVICE 3 WAY



Application

Design for fluid sensors

Mechanical data

Weight [g] 173

Materials POM

Accessories

Accessories (supplied) cylinder screws: 2 x ISO 4762 M6 x 60

Remarks

Pack quantity 1 pcs.