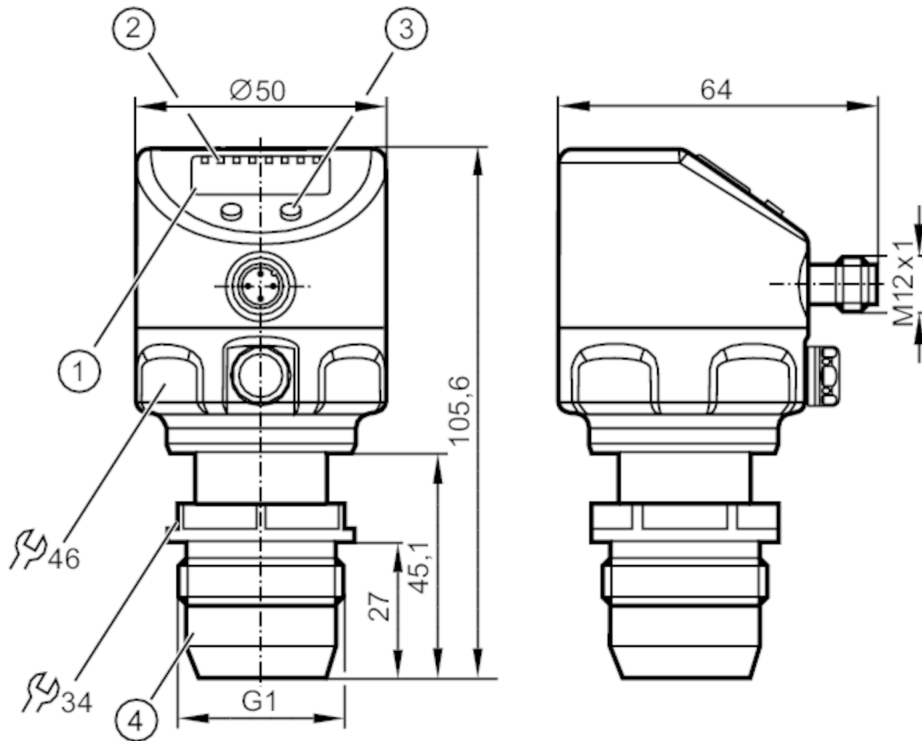


PI2814



Flush pressure sensor with display

PI-016-REA01-MFRKG/US/ IP



- 1 alphanumeric display 4-digit
- 2 status LEDs
- 3 programming button
- 4 G 1 sealing cone external thread

ACS CE CRN US EC 1935/2004 EHEDG Certified FCM FDA

Product characteristics

Output signal	switching signal; analogue signal; IO-Link; (configurable)		
Measuring range	-1...16 bar	-14.6...232 psi	-0.1...1.6 MPa
Process connection	threaded connection G 1 external thread sealing cone		

Application

Special feature	Gold-plated contacts		
Application	food and beverage industry		
Media	viscous media and liquids with suspended particles; liquids and gases		
Medium temperature [°C]	-25...125; (145 max. 1h)		
Pressure rating	75 bar	1085 psi	7.5 MPa
Min. bursting pressure	250 bar	3625 psi	25 MPa
Vacuum resistance [mbar]	-1000		
Type of pressure	relative pressure; vacuum		
No dead space	yes		
MAWP (for applications according to CRN) [bar]	50		

Electrical data

Min. insulation resistance [MΩ]	100; (500 V DC)		
Protection class	III		
Reverse polarity protection	yes		
Integrated watchdog	yes		

PI2814



Flush pressure sensor with display

PI-016-REA01-MFRKG/US/ IP

2-wire			
Operating voltage	[V]	20...32 DC	
Current consumption	[mA]	3.6...21	
Power-on delay time	[s]	1	
3-wire			
Operating voltage	[V]	18...32 DC	
Current consumption	[mA]	< 45	
Power-on delay time	[s]	0.5	
Inputs / outputs			
Number of inputs and outputs	Number of digital outputs: 2; Number of analogue outputs: 1		
Outputs			
Total number of outputs	2		
Output signal	switching signal; analogue signal; IO-Link; (configurable)		
Electrical design	PNP/NPN		
Number of digital outputs	2		
Output function	normally open / normally closed; (parameterisable)		
Number of analogue outputs	1		
Analogue current output	[mA]	4...20, invertible; (scalable)	
Short-circuit protection	yes		
Type of short-circuit protection	pulsed		
Overload protection	yes		
2-wire			
Max. load	[Ω]	300	
3-wire			
Max. voltage drop switching output DC	[V]	2	
Permanent current rating of switching output DC	[mA]	250	
Switching frequency DC	[Hz]	125	
Max. load	[Ω]	(U _b - 10 V) / 20 mA	
Measuring/setting range			
Measuring range	-1...16 bar	-14.6...232 psi	-0.1...1.6 MPa
Set point SP	-0.98...16 bar	-14.2...232 psi	-0.098...1.6 MPa
Reset point rP	-1...15.98 bar	-14.6...231.6 psi	-0.1...1.598 MPa
Analogue start point	-1...12 bar	-14.6...174 psi	-0.1...1.2 MPa
Analogue end point	3...16 bar	43.6...232 psi	0.3...1.6 MPa
In steps of	0.02 bar	0.2 psi	0.002 MPa
Factory setting		SP1 = 4.0 bar	rP1 = 3.68 bar
		SP2 = 12.0 bar	rP2 = 11.68 bar
		ASP = 0.0 bar	AEP = 16.0 bar
Accuracy / deviations			
Switch point accuracy	< ± 0,2; (Turn down 1:1)		



Flush pressure sensor with display

PI-016-REA01-MFRKG/US/ IP

	[% of the span]	
Repeatability	[% of the span]	$< \pm 0,1$; (with temperature fluctuations < 10 K; Turn down 1:1)
Characteristics deviation	[% of the span]	$< \pm 0,2$; (Turn down 1:1 linearity, incl. hysteresis and repeatability limit value setting to DIN 16086)
Linearity deviation	[% of the span]	$< \pm 0,15$; (Turn down 1:1)
Hysteresis deviation	[% of the span]	$< \pm 0,15$; (Turn down 1:1)
Long-term stability	[% of the span]	$< \pm 0,1$; (Turn down 1:1; per year)
Temperature coefficient zero point	[% of the span / 10 K]	$< \pm 0,05$; (0...70 °C)
Temperature coefficient span	[% of the span / 10 K]	$< \pm 0,15$; (0...70 °C)

Response times

Damping for the switching output dAP	[s]	0...30
Damping for the analogue output dAA	[s]	0.01...99.99
2-wire		
Step response time analogue output	[ms]	45
3-wire		
Min. response time of switching output (dAP)	[ms]	3
Step response time analogue output	[ms]	7

Interfaces

Communication interface		IO-Link
Transmission type		COM2 (38,4 kBaud)
IO-Link revision		1.0
IO-Link device ID		729 d / 00 02 d9 h
Profiles		no profile
SIO mode		yes
Required master port type		A
Process data analogue		1
Process data binary		2
Min. process cycle time	[ms]	2.3

Operating conditions

Ambient temperature	[°C]	-25...80
Storage temperature	[°C]	-40...100
Protection		IP 67; IP 68; IP 69K

PI2814



Flush pressure sensor with display

PI-016-REA01-MFRKG/US/ IP

Tests / approvals

EMC	EN 61000-4-2 ESD	4 kV CD / 8 kV AD
	EN 61000-4-3 HF radiated	10 V/m
	EN 61000-4-4 Burst	2 kV
	EN 61000-4-5 Surge	0,5/1 kV
	EN 61000-4-6 HF conducted	10 V
	Shock resistance	DIN IEC 68-2-27
Vibration resistance	DIN IEC 68-2-6	20 g (10...2000 Hz)
MTTF [years]	154	
Note on approval	factory certificate available as download at www.factory-certificate.ifm	

Mechanical data

Weight [g]	380
Materials	stainless steel (1.4404 / 316L); FKM; PTFE; PBT; PEI; PFA
Materials (wetted parts)	ceramics (99.9 % Al ₂ O ₃); PTFE; stainless steel (1.4435 / 316L); surface characteristics: Ra < 0,4 / Rz 4
Min. pressure cycles	100 million
Process connection	threaded connection G 1 external thread sealing cone

Displays / operating elements

Display	Display unit	LED, green
	switching status	LED, yellow
	function display	alphanumeric display, 4-digit
	measured values	alphanumeric display, 4-digit
Display unit	bar; MPa; psi; % of the span	

Remarks

Remarks	Attention: The unit must only be installed in a process connection for G1 sealing cone. The G1A sealing cone of the unit is only suited for adapters with metal end stop.
Pack quantity	1 pcs.

Electrical connection

Connector: 1 x M12; Contacts: gold-plated



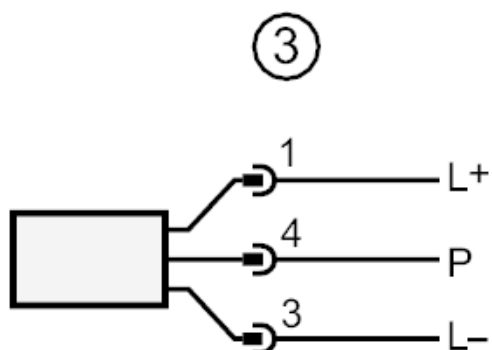
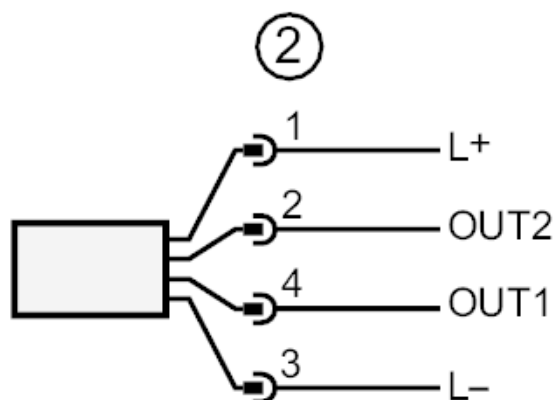
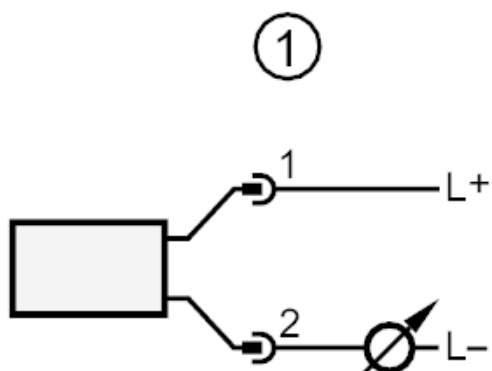
PI2814



Flush pressure sensor with display

PI-016-REA01-MFRKG/US/ IP

Connection



- 1 connection for 2-wire operation
- 2 connection for 3-wire operation :
- OUT1 switching output
- OUT2 switching output
- analogue output
- 3 connection for IO-Link parameter setting (P = communication via IO-Link)