

ACCES.F.FUSE SWI. DISCONNECTOR FOR NH1  
SADDLE TERMINAL



Figure similar

Model	
product brand name	SENTRON
Design of the product	for 3NP1 fuse switch disconnectors, saddle terminal 70 to 150 mm <sup>2</sup> , for size NH1 with flat connector

Accessories	
accessories	Connection system

General Product Approval	Declaration of Conformity
--------------------------	---------------------------



### Further information

**Information- and Downloadcenter (Catalogs, Brochures,...)**  
<http://www.siemens.com/lowvoltage/catalogs>

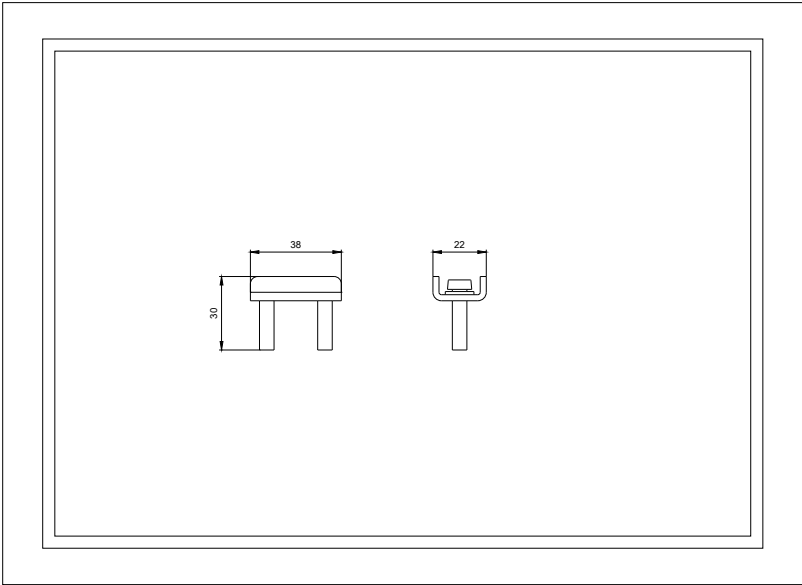
**Industry Mall (Online ordering system)**  
<https://eb.automation.siemens.com/mall/en/WW/Catalog/Product/3NP19431BA00>

**Service&Support (Manuals, Certificates, Characteristics, FAQs,...)**  
<http://support.automation.siemens.com/WW/view/en/3NP19431BA00/all>

**Image database (product images, 2D dimension drawings, 3D models, device circuit diagrams, ...)**  
[http://www.automation.siemens.com/bilddb/cax\\_en.aspx?mlfb=3NP19431BA00](http://www.automation.siemens.com/bilddb/cax_en.aspx?mlfb=3NP19431BA00)

**CAx-Online-Generator**  
<http://www.siemens.com/cax>

**Tender specifications**  
<http://ausschreibungstexte.siemens.com/tiplv>



last modified:

11.03.2015