

COORDINATE SWITCH, 22MM, ROUND, METAL, SHINY, BLACK, 4 SWITCH POSITIONS, LATCHING, WITH MECHANICAL INTERLOCK IN THE O POSITION, WITH HOLDER, 1NO, 1NO, 1NO, 1NO, SCREW TERMINAL



Figure similar

<b>Product brand name</b>	SIRIUS ACT
<b>Product designation</b>	Coordinate switches
<b>Product type designation</b>	3SU1
<b>Manufacturer's article number</b>	<ul style="list-style-type: none"> <li>• of supplied contact module 3SU1400-1AA10-1BA0, 3SU1400-1AA10-1BA0, 3SU1400-1AA10-1BA0, 3SU1400-1AA10-1BA0</li> <li>• 1 of supplied contact module <a href="#">3SU1400-1AA10-1BA0</a></li> <li>• 2 of supplied contact module <a href="#">3SU1400-1AA10-1BA0</a></li> <li>• 3 of supplied contact module <a href="#">3SU1400-1AA10-1BA0</a></li> <li>• 4 of supplied contact module <a href="#">3SU1400-1AA10-1BA0</a></li> <li>• of the supplied holder <a href="#">3SU1550-0BA10-0AA0</a></li> <li>• of the supplied actuator <a href="#">3SU1050-7BE88-0AA0</a></li> </ul>

### Enclosure

<b>Shape of the enclosure front</b>	round
-------------------------------------	-------

### Actuator

<b>Design of the operating mechanism</b>	with mechanical interlocking
<b>Manner of function of the actuating element</b>	Latching

<b>Direction of actuation</b>	horizontal / vertical
<b>Product extension optional Light source</b>	No
<b>Color</b>	
• of the actuating element	black
<b>Material of the actuating element</b>	plastic
<b>Shape of the actuating element</b>	Extended handle
<b>Outer diameter of the actuating element</b>	30.5 mm
<b>Number of contact modules</b>	4
<b>Type of unlocking device</b>	push-to-unlatch mechanism
<b>Number of switching positions</b>	4

#### Front ring

<b>Product component front ring</b>	Yes
<b>Design of the front ring</b>	high
<b>Material of the front ring</b>	Metal, high gloss
<b>Color of the front ring</b>	silver

#### Holder

<b>Material of the holder</b>	Metal
-------------------------------	-------

#### General technical data

<b>Product function</b>	
• positive opening	No
<b>Insulation voltage</b>	
• rated value	500 V
<b>Degree of pollution</b>	3
<b>Surge voltage resistance rated value</b>	6 kV
<b>Protection class IP</b>	IP65, IP67
• of the terminal	IP20
<b>Shock resistance</b>	
• acc. to IEC 60068-2-27	Sinusoidal half-wave 50 g / 11 ms
<b>Vibration resistance</b>	
• acc. to IEC 60068-2-6	10 ... 500 Hz: 5g
<b>Operating frequency maximum</b>	3 600 1/h
<b>Mechanical service life (switching cycles)</b>	
• as operating period per direction of actuation typical	250 000
<b>Electrical endurance (switching cycles)</b>	
• typical	10 000 000
<b>Electrical endurance (switching cycles) with contactors 3RT1015 to 3RT1026 typical</b>	10 000 000
<b>Thermal current</b>	10 A
<b>Equipment marking</b>	
• acc. to DIN EN 61346-2	S
• acc. to DIN EN 81346-2	S

Continuous current of the C characteristic MCB	10 A; for a short-circuit current smaller than 400 A
Continuous current of the quick DIAZED fuse link	10 A
Continuous current of the DIAZED fuse link gG	10 A

## Power Electronics

Contact reliability	One maloperation per 100 million (17 V, 5 mA), one maloperation per 10 million (5 V, 1 mA)
---------------------	--

## Auxiliary circuit

Design of the contact of auxiliary contacts	Silver alloy
Number of NC contacts <ul style="list-style-type: none"> <li>• for auxiliary contacts</li> </ul>	0
Number of NO contacts <ul style="list-style-type: none"> <li>• for auxiliary contacts</li> </ul>	4
Number of CO contacts <ul style="list-style-type: none"> <li>• for auxiliary contacts</li> </ul>	0

## Connections/Terminals

Type of electrical connection <ul style="list-style-type: none"> <li>• of modules and accessories</li> </ul>	Screw-type terminal
Type of connectable conductor cross-sections <ul style="list-style-type: none"> <li>• solid with core end processing</li> <li>• solid without core end processing</li> <li>• finely stranded with core end processing</li> <li>• finely stranded without core end processing</li> <li>• at AWG conductors</li> </ul>	2x (0.5 ... 0.75 mm <sup>2</sup> ) 2x (1.0 ... 1.5 mm <sup>2</sup> ) 2x (0.5 ... 1.5 mm <sup>2</sup> ) 2x (1,0 ... 1,5 mm <sup>2</sup> ) 2x (18 ... 14)
Tightening torque of the screws in the bracket	1 ... 1.2 N·m
Tightening torque <ul style="list-style-type: none"> <li>• for auxiliary contacts with screw-type terminals</li> </ul>	0.8 ... 1 N·m

## Ambient conditions

Ambient temperature <ul style="list-style-type: none"> <li>• during operation</li> <li>• during storage</li> </ul>	-25 ... +70 °C -40 ... +80 °C
Environmental category during operation acc. to IEC 60721	3M6, 3S2, 3B2, 3C3, 3K6 (with relative air humidity of 10 ... 95 %, no condensation in operation permitted for all devices behind front panel)

## Installation/ mounting/ dimensions

Mounting type <ul style="list-style-type: none"> <li>• of modules and accessories</li> </ul>	front mounting Front plate mounting
Height	40 mm
Width	40 mm
Shape of the installation opening	round
Mounting diameter	22.3 mm
Positive tolerance of installation diameter	0.4 mm

Mounting height	75.6 mm
Installation width	30.5 mm
Installation depth	53.7 mm

### Certificates/approvals

General Product Approval	Declaration of Conformity	Test Certificates
 CCC	 CSA	 UL
		
 EG-Konf.		
<a href="#">Declaration of the Compliance with the order</a>		

Test Certificates	other
<a href="#">Special Test Certificate</a>	<a href="#">Confirmation</a>

### Further information

**Information- and Downloadcenter (Catalogs, Brochures,...)**

<http://www.siemens.com/industrial-controls/catalogs>

**Industry Mall (Online ordering system)**

<https://mall.industry.siemens.com/mall/en/en/Catalog/product?mlfb=3SU1150-7BE88-1QA0>

**Cax online generator**

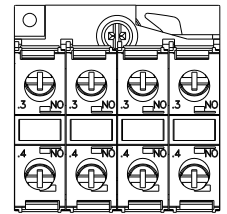
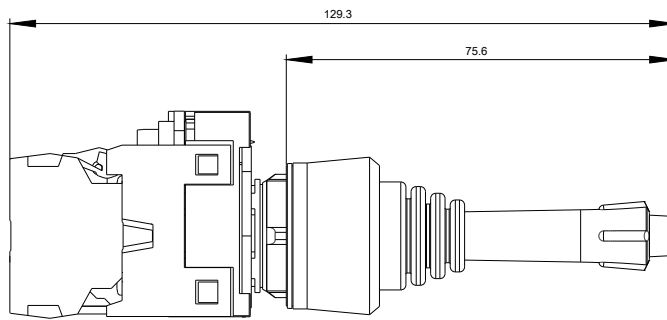
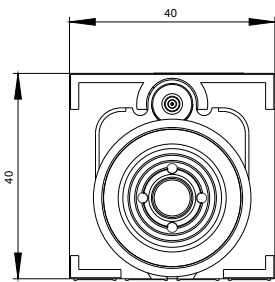
<http://support.automation.siemens.com/WW/CAXorder/default.aspx?lang=en&mlfb=3SU1150-7BE88-1QA0>

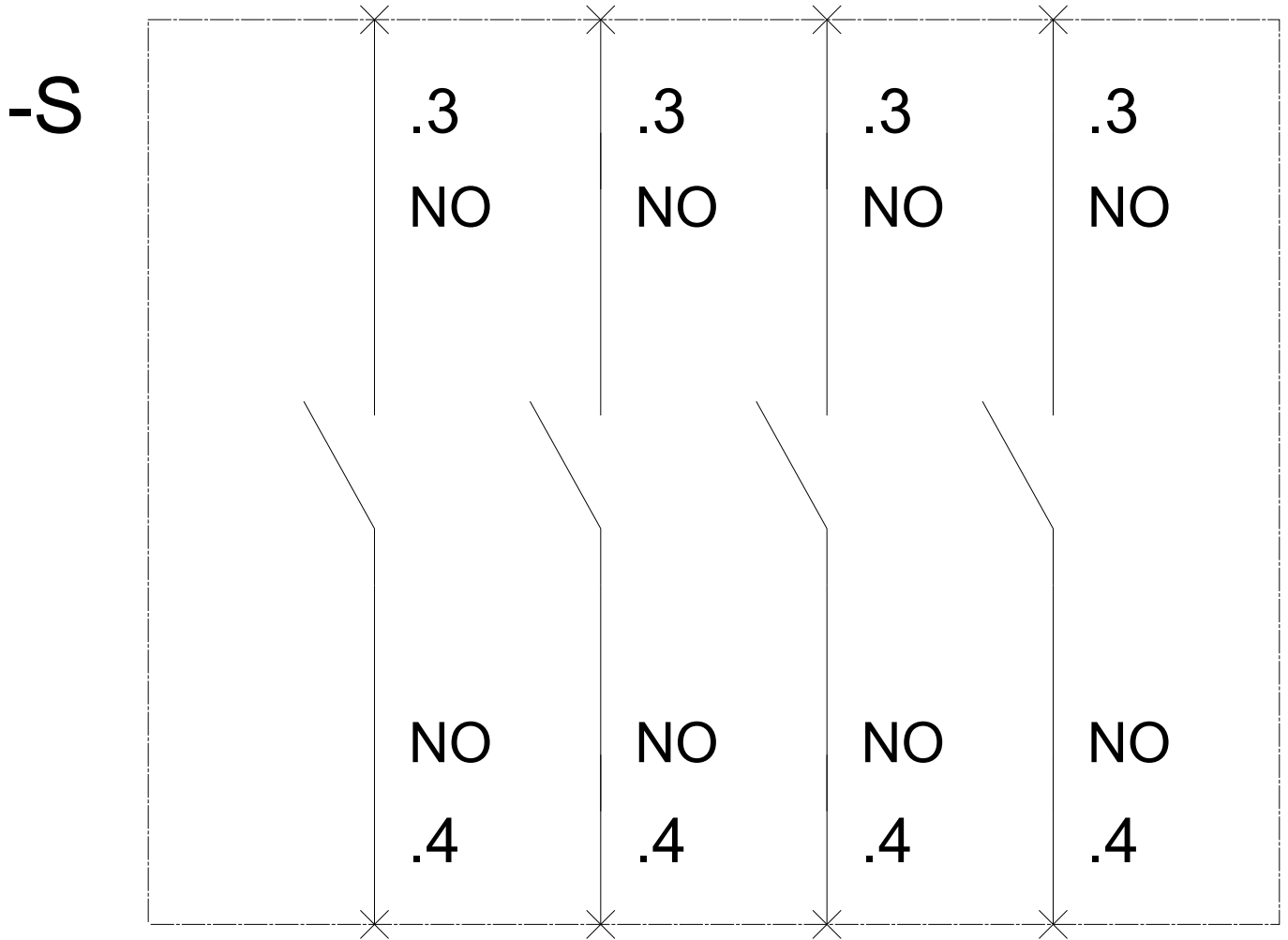
**Service&Support (Manuals, Certificates, Characteristics, FAQs,...)**

<https://support.industry.siemens.com/cs/ww/en/ps/3SU1150-7BE88-1QA0>

**Image database (product images, 2D dimension drawings, 3D models, device circuit diagrams, EPLAN macros, ...)**

[http://www.automation.siemens.com/bilddb/cax\\_de.aspx?mlfb=3SU1150-7BE88-1QA0&lang=en](http://www.automation.siemens.com/bilddb/cax_de.aspx?mlfb=3SU1150-7BE88-1QA0&lang=en)





last modified:

09/25/2017