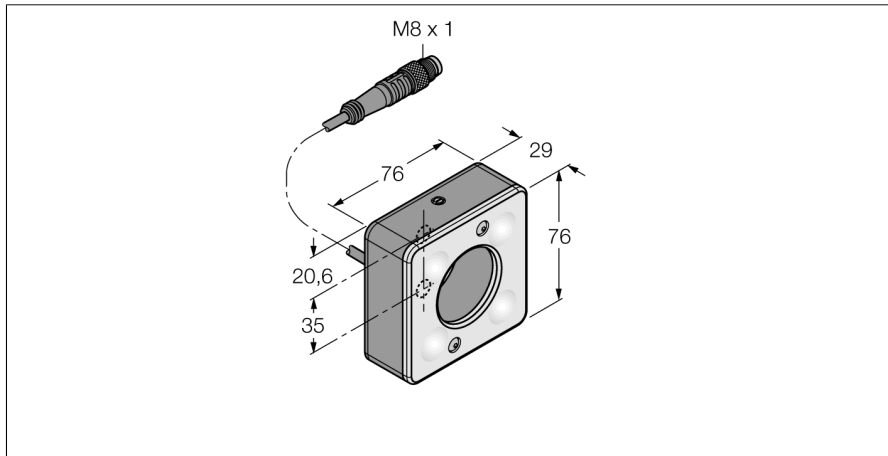


**Vision system
ring light
LEDWR70XD5-PM**

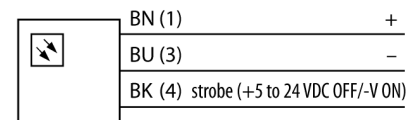
TURCK

Industrial
Automation



- High-Intensity
- Protection class: IP50
- Color white
- Light intensity, adjustable
- Power supply: 24 VDC
- Pigtail M8x1, 0.3m

Wiring Diagram



Type designation	LEDWR70XD5-PM
Ident no.	3017386
Purpose	Image processing
Operating mode	Area light
Design	Rectangular
Dimensions	76.2 x 76.2 x 29.2 mm
Housing material	Metal, AL
Window material	Acrylic, diffuse
Electrical connection	Cable with connector, M8 1, 3-wire
Cable length	0.3 m
Useful life	50000 h
Protection class	IP50
Ambient temperature	0...+50 °C
Approvals	CE, cULus listed
Operating voltage	24 VDC
DC rated operational current	≤ 350 mA
Light type	white
Color temperature	5000...+8300K
Dimmable	no

Functional principle

Directly mounted to the sensor for easy setup. Illumination of objects directly in front of the sensor.