

Garden Spike Light

pro-ELEC

RoHS
Compliant



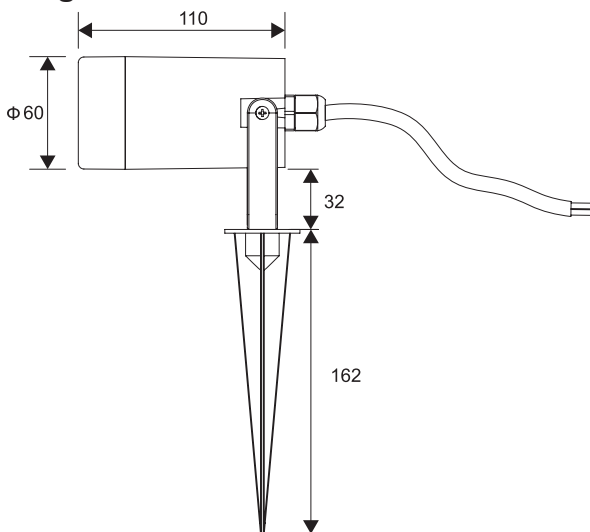
Description

An outdoor garden spike light, with GU10 lamp fitting, that can be adjusted to the required angle for illumination and display purposes. Its ABS and clear polycarbonate construction make it ideal for use in the garden. An additional IP65 rated connector housing is required as this is not included.

Specifications

Voltage : 220V to 240V ~ 50Hz
Lamp Type : GU10 7W LED

Diagram



Dimensions : Millimetres

Part Number Table

Description	Part Number
Garden Spike Light, GU10 lamp	PEL00835

Important Notice : This data sheet and its contents (the "Information") belong to the members of the AVNET group of companies (the "Group") or are licensed to it. No licence is granted for the use of it other than for information purposes in connection with the products to which it relates. No licence of any intellectual property rights is granted. The Information is subject to change without notice and replaces all data sheets previously supplied. The Information supplied is believed to be accurate but the Group assumes no responsibility for its accuracy or completeness, any error in or omission from it or for any use made of it. Users of this data sheet should check for themselves the Information and the suitability of the products for their purpose and not make any assumptions based on information included or omitted. Liability for loss or damage resulting from any reliance on the Information or use of it (including liability resulting from negligence or where the Group was aware of the possibility of such loss or damage arising) is excluded. This will not operate to limit or restrict the Group's liability for death or personal injury resulting from its negligence. pro-ELEC is the registered trademark of Premier Farnell Limited 2019.

Newark.com/exclusive-brands
Farnell.com/exclusive-brands
Element14.com/exclusive-brands

pro-ELEC