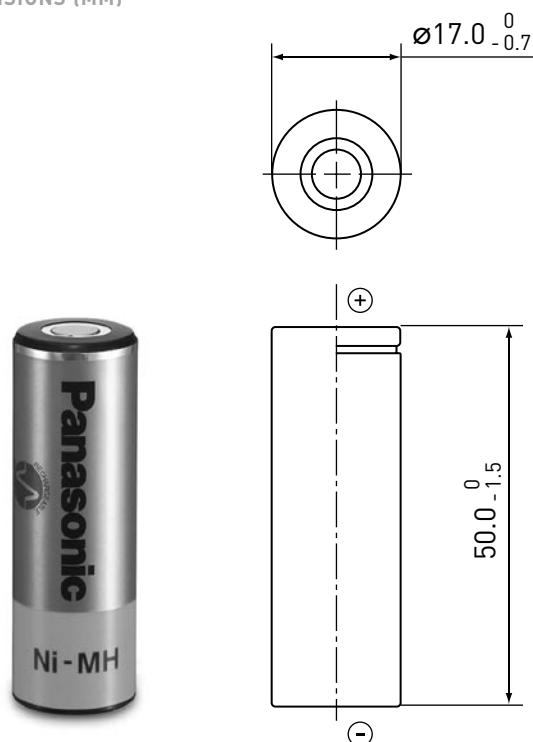


HHR-210A/FT CYLINDRICAL A SIZE (HR17/50)

DIMENSIONS (MM)



SPECIFICATIONS

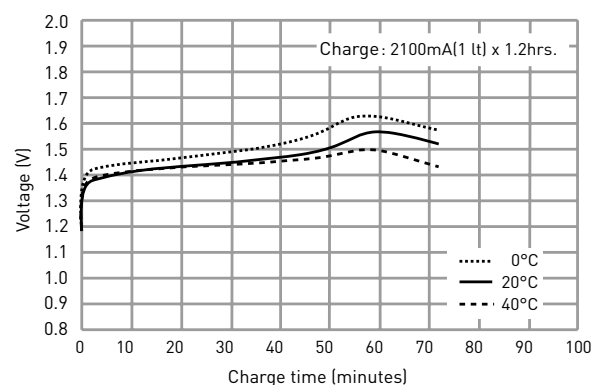
Name		HHR-210A/FT	
Diameter (mm)		17.0 +0/-0.7	
Height (mm)		50.0 +0/-1.5	
Approximate weight (g)		38	
Nominal voltage (V)		1.2	
Discharge capacity*1	Average*2 (mAh)	2,200	
	Rated/min. (mAh)	2,100	
Approx. internal impedance at 1,000Hz at charged state (mΩ)		20	
Charge	Standard (mA x hrs.)	210 x 16	
	Rapid*3 (mA x hrs.)	2,100 x 1.2	
Ambient temperature	Charge (°C)	Standard	0 to +45
		Rapid	0 to +40
Discharge (°C)		-10 to +65	
Storage (°C)	<1 year	-20 to +35	
	<3 months	-20 to +45	
	<1 month	-20 to +55	

*1 After charging at 0.1It for 16 hours, discharging at 0.2It.

*2 For reference only.

*3 Need specially designed control system. Please contact Panasonic for details.

TYPICAL CHARGE CHARACTERISTICS



TYPICAL DISCHARGE CHARACTERISTICS

