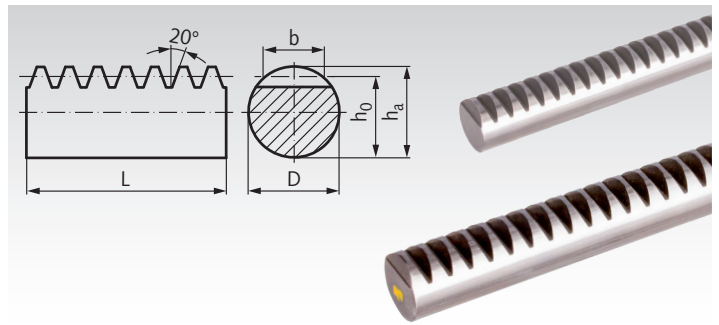


## Round Gear Racks, Straight Tooth System, Milled Teeth

**Material:** Standard: Steel St50K (length 2000mm: C45K),  
 $\emptyset$ -tolerance h6, ground.

High Strength: Steel, strength 1.000 N/mm<sup>2</sup>,  
 $\emptyset$ -tolerance h6, ground.

Stainless steel: 1.4305 (AISI 303),  
 $\emptyset$ -tolerance h9, drawn.



Reference profile 2 DIN 867 / DIN 3972. Pressure angle 20°.  
 Tooth quality 8d25 DIN 3967. Precisely straightened.

Production-related tolerances of dimensions  $h_a$  and  $h_0$ :

module 1 - 2: -0.2 mm

module 2.5 - 4: -0.3 mm

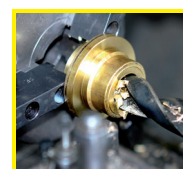
module 5 - 6: -0.4 mm

Ordering Details: e.g.: Product No. 224 630 00, Round gear rack, standard steel, module 1, D 10 x 250 mm

Product No. Standard	Product No. High Strength	Product No. Stainless Steel	Module	D mm	b mm	$h_a$ mm	$h_0$ mm	Nom. Length L mm	Weight kg
224 630 00	-	-	1	10	6,0	10	9,0	250	0,14
224 631 00	224 666 31**	224 996 31	1	10	6,0	10	9,0	500	0,28
224 632 00	224 666 32**	224 996 32	1	10	6,0	10	9,0	1000	0,56
225 630 00	-	-	1	15	7,5	15	14,0	250	0,33
225 631 00	225 666 31	-	1	15	7,5	15	14,0	500	0,66
225 632 00	225 666 32	-	1	15	7,5	15	14,0	1000	1,35
228 630 00	-	-	1,5	15	9,0	15	13,5	250	0,32
228 631 00	228 666 31	228 996 31	1,5	15	9,0	15	13,5	500	0,64
228 632 00	228 666 32	228 996 32	1,5	15	9,0	15	13,5	1000	1,28
229 630 00	-	-	1,5	17	9,6	17	15,5	250	0,42
229 631 00	-	-	1,5	17	9,6	17	15,5	500	0,84
229 632 00	-	-	1,5	17	9,6	17	15,5	1000	1,70
241 630 00	-	-	2	20	12	20	18,0	250	0,57
241 631 00	241 666 31	241 996 31	2	20	12	20	18,0	500	1,14
241 632 00	241 666 32	241 996 32	2	20	12	20	18,0	1000	2,28
241 634 00*	241 666 34	241 996 34	2	20	12	20	18,0	2000	4,52
242 630 00	-	-	2,5	25	15	25	22,5	250	0,89
242 631 00	242 666 31	242 996 31	2,5	25	15	25	22,5	500	1,78
242 632 00	242 666 32	242 996 32	2,5	25	15	25	22,5	1000	3,56
242 634 00*	242 666 34	242 996 34	2,5	25	15	25	22,5	2000	7,20
243 630 00	-	-	3	30	18	30	27	250	2,59
243 631 00	243 666 31	243 996 31	3	30	18	30	27	500	5,14
243 632 00	243 666 32	243 996 32	3	30	18	30	27	1000	10,28
243 634 00*	243 666 34	243 996 34	3	30	18	30	27	2000	20,56
244 630 00	-	-	4	40	24	40	36	250	4,56
244 631 00	244 666 31	244 996 31	4	40	24	40	36	500	9,12
244 632 00	244 666 32	244 996 32	4	40	24	40	36	1000	18,24
244 634 00*	244 666 34	244 996 34	4	40	24	40	36	2000	36,48
245 630 00	-	-	5	50	30	50	45	250	7,10
245 631 00	245 666 31	-	5	50	30	50	45	500	14,20
245 632 00	245 666 32	-	5	50	30	50	45	1000	28,40
245 634 00*	245 666 34	-	5	50	30	50	45	2000	56,80
246 631 00	246 666 31	-	6	60	36	60	54	500	20,56
246 632 00	246 666 32	-	6	60	36	60	54	1000	41,12
246 634 00*	246 666 34	-	6	60	36	60	54	2000	82,24

\* Material: C45K.

\*\*  $\emptyset$  tolerance h9.



**Reworking within  
 24h-service possible.  
 Custom made parts  
 on request.**