

PLEASE CHECK WWW.MOLEX.COM FOR LATEST PART INFORMATION

Part Number: [0702460801](#)
Status: **Active**
Overview: C-Grid Connector Products
Description: 2.54mm Pitch C-Grid Header, Low Profile, Dual Row, Vertical, Shrouded, 8 Circuits, 0.38µm Gold (Au) Selective Plating

Documents:

[3D Model](#) [Packaging Specification PK-87835-001 \(PDF\)](#)
[Drawing \(PDF\)](#) [RoHS Certificate of Compliance \(PDF\)](#)
[Product Specification PS-70246-100-001 \(PDF\)](#)

Agency Certification

CSA LR19980
 UL E29179

General

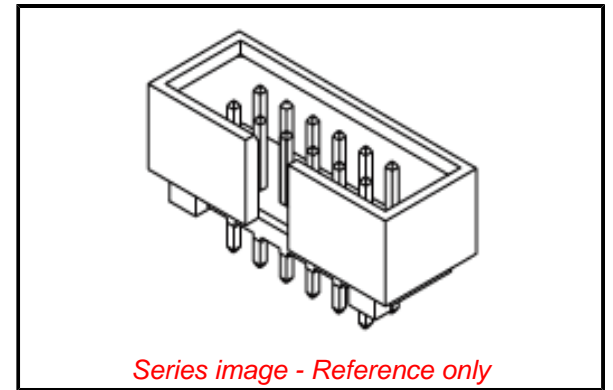
Product Family PCB Headers
 Series [70246](#)
 Application Signal, Wire-to-Board
 Overview [C-Grid Connector Products](#)
 Product Name C-Grid
 UPC 822348487004

Physical

Breakaway No
 Circuits (Loaded) 8
 Circuits (maximum) 8
 First Mate / Last Break No
 Flammability 94V-0
 Glow-Wire Capable No
 Guide to Mating Part No
 Keying to Mating Part None
 Lock to Mating Part None
 Material - Plating Mating Gold
 Material - Plating Termination Tin
 Net Weight 1.258/g
 Number of Rows 2
 Orientation Vertical
 PC Tail Length 3.43mm
 PCB Locator No
 PCB Retention None
 PCB Thickness - Recommended 1.60mm
 Packaging Type Tray
 Pitch - Mating Interface 2.54mm
 Pitch - Termination Interface 2.54mm
 Plating min - Mating 0.381µm
 Plating min - Termination 1.905µm
 Polarized to Mating Part Center Slot
 Polarized to PCB No
 Shrouded Fully
 Stackable No
 Surface Mount Compatible (SMC) No
 Temperature Range - Operating -55° to +120°C
 Termination Interface: Style Through Hole

Electrical

Current - Maximum per Contact 2.5A



Series image - Reference only

EU ELV

Not Relevant

EU RoHS

Not Reviewed

REACH SVHC

Not Contained Per -
 ED/61/2018 (27 June
 2018)

Halogen-Free

Status

Not Low-Halogen

For more information, please visit [Contact US](#)

China ROHS

ELV

RoHS Phthalates

China RoHS

Green Image

Not Relevant

Not Contained

Search Parts in this Series

[70246 Series](#)

Mates With

[70450 SL Crimp Housing](#), [70058 SL Crimp Terminal](#)

Voltage - Maximum 250V DC

Solder Process Data

Duration at Max. Process Temperature (seconds) 010
Lead-free Process Capability WAVE
Max. Cycles at Max. Process Temperature 001
Process Temperature max. C 235

Material Info

Reference - Drawing Numbers

Packaging Specification PK-87835-001
Product Specification PS-70246-100-001
Sales Drawing SDA-70246-XX20-25_39

This document was generated on 03/25/2019

PLEASE CHECK WWW.MOLEX.COM FOR LATEST PART INFORMATION