

## SAIL-ZW-M8BW-3L3.0V

**Weidmüller Interface GmbH & Co. KG**

Klingenbergstraße 16

D-32758 Detmold

Germany

Fon: +49 5231 14-0

Fax: +49 5231 14-292083

www.weidmueller.com



Sensor/actuator cables are used for wiring sensors and actuators and for transmitting data or power in various applications. The moulded cable offers connected and tested connection of the plug-in connector to the cable ex-works. The cables may be exposed to a wide range of conditions, such as humidity, dust, heat, cold, shock or vibration.

Our developers have focused specifically on this issue and designed a host of different M8 and M12 sensor-actuator cables so you are bound to find the solution you need for your application.

Is there something you have not managed to find or you feel needs explanation? Talk to us!

### General ordering data

Type	SAIL-ZW-M8BW-3L3.0V
Order No.	<a href="#">1466370300</a>
Version	Sensor/actuator line, One end without connector, M12 / M8, Number of poles : 3, 3 m, Twin cabling, Shielded: No, LED: Yes, Sheath material: PVC, Halogen: Yes
GTIN (EAN)	4050118276039
Qty.	1 pc(s).

**SAIL-ZW-M8BW-3L3.0V****Weidmüller Interface GmbH & Co. KG**

Klingenbergstraße 16

D-32758 Detmold

Germany

Fon: +49 5231 14-0

Fax: +49 5231 14-292083

www.weidmueller.com

**Technical data****Dimensions and weights**

Net weight 194 g

**Technical specifications for cable**

Number of poles	3	Core cross-section	0.25 mm <sup>2</sup>
Outside diameter	4.5 ± 0.2 mm	Shielded	No
Insulation	PVC	Colour coding	brown, blue, black
Sheath material	PVC	Sheathing colour	Black
Cable length	3 m	Temperature range, moving	-5...80 °C
Temperature range, stationary	-30...80 °C	Halogen	Yes
Suitable for cable carriers	No	Torsion resistance	0 °/m
Resistant to welding beads	No		

**General technical data**

Version	Twin cabling	connection thread	M12 / M8
Housing main material	PUR	Threaded ring material	Brass, nickel-plated
Coding	none	Protection degree	IP65, IP66, IP67, IP68, when screwed in
Contact surface	Gold-plated	LED	Yes
Rated voltage	24 V	Rated current	4 A
Insulation resistance	10 <sup>8</sup> Ω	Temperature range of housing	-25...+85 °C
Tightening torque	M12: 0.8 - 1.2 Nm, M8: 0.5 - 0.6 Nm	Plugging cycles	≥ 100
Pollution severity	3	jumpered	No

**Standards**Connector standard IEC 61076-2-101, IEC  
61076-2-104**Classifications**

ETIM 5.0	EC001855	ETIM 6.0	EC001855
eClass 6.2	27-27-92-18	eClass 7.1	27-27-92-18
eClass 8.1	27-27-92-18	eClass 9.0	27-06-03-11
eClass 9.1	27-06-03-13		

**Approvals**

Approvals



ROHS

Conform

**Downloads**

Brochure/Catalogue [FL FIELDWIRING EN](#)  
 Engineering Data [EPLAN, WSCAD](#)

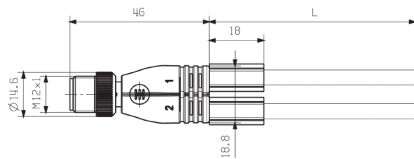
**Data sheet**

**SAIL-ZW-M8BW-3L3.0V**

**Weidmüller Interface GmbH & Co. KG**  
 Klingenbergstraße 16  
 D-32758 Detmold  
 Germany  
 Fon: +49 5231 14-0  
 Fax: +49 5231 14-292083  
 www.weidmueller.com

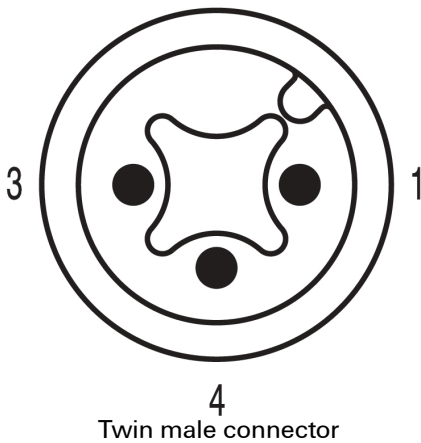
**Drawings**

**Dimensioned drawing**



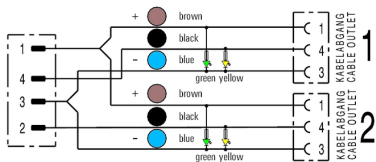
Twin male connector, straight

**Pole scheme**

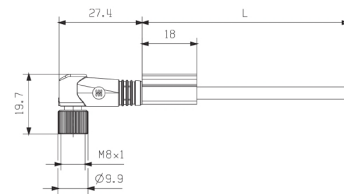


Twin male connector

**Wiring diagram**

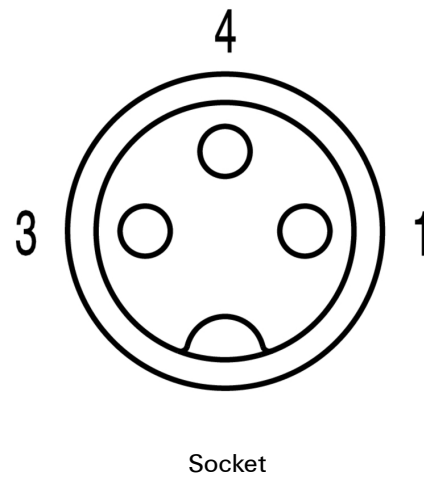


**Dimensioned drawing**



Angled socket

**Pole scheme**



Socket

**The ideal tool, the Screwty® with torque function**



Light, securely screwed-in round plug-in connectors. Screwty set DM / VPE: 1 / Order No.: 1920000000 Adapters: M12, M12 F, M8, M8 F