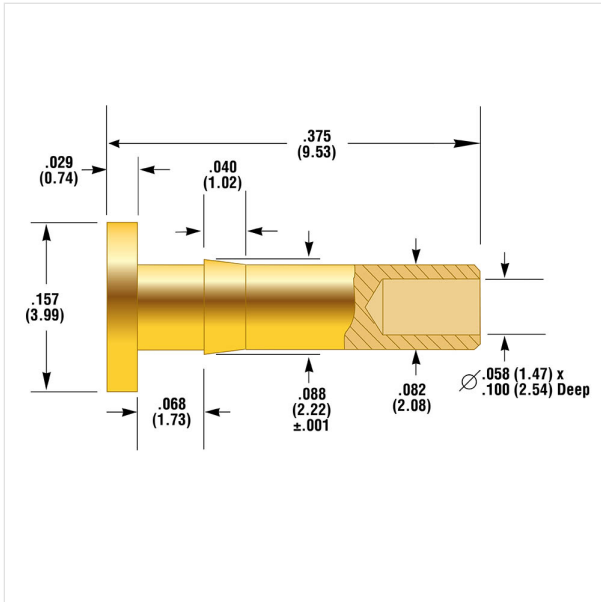


GPP-95-2

Test System Interface Probe

Product Family: GPP



Mechanical:

Overall Length (mil): 375

Overall Length (mm): 9.53

Rec. Mounting Hole Size (mil): 85

Rec. Mounting Hole Size (mm): 2.15

Recommended Drill Size: #44 or 2.15 mm

Materials & Finishes:

Terminal Material: Brass, Gold plated

Additional information:

Application: GenRad

