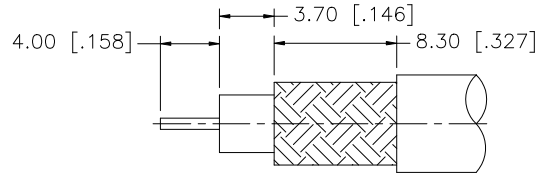
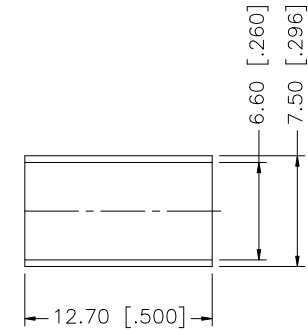
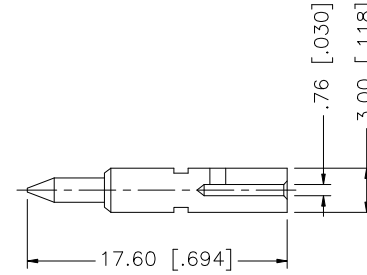
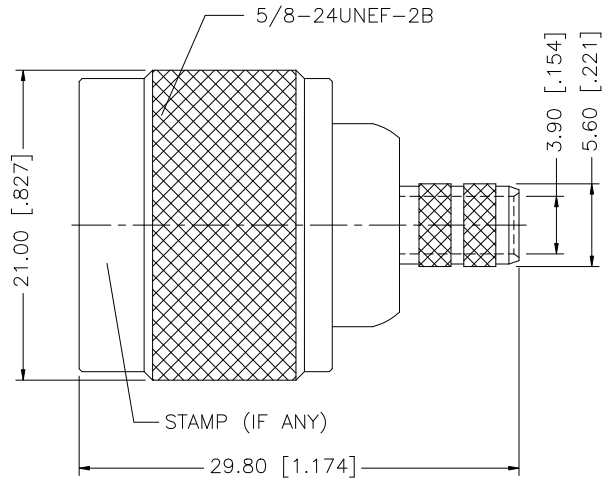


REV.	DATE	ECR NO.	DESCRIPTION
NC	05/01/04	-	INITIAL RELEASE
A	10/10/08	-	REVISE CONTACT PIN CRIMP NOTE (2)/ ADD CABLE DESCRIPTION



RECOMMENDED  
CABLE STRIPPING DIM'S



NOTE:

1. CRIMPED FERRULE HEX CRIMP SIZE .255" [6.48]
2. CRIMPED CONTACT PIN HEX CRIMP SIZE .100" [2.54] OR SOLDER.

DESCRIPTION	MATERIAL	FINISH	QTY	DO NOT SCALE DRAWING	CAD FILE	DWG. NO.	REV.	SIZE	SCALE
8									
7									
6									
5									
4	FERRULE	COPPER	NEXCOTE	1					
3	CONTACT PIN	BRASS	GOLD	1					
2	INSULATOR	PTFE	NATURAL	1					
1	BODY	BRASS	NEXCOTE	1					
<small>UNLESS OTHERWISE SPECIFIED DIMENSIONS ARE IN MILLIMETERS. DIMENSIONS IN [ ] ARE IN INCHES AND FOR CUSTOMER REFERENCE ONLY.</small> <small>UNLESS OTHERWISE SPECIFIED TOLERANCES FOR MILLIMETERS ARE:  0.5 - 8mm ± 0.20mm  8 - 30mm ± 0.40mm  30 - 120mm ± 0.50mm</small> <small>UNLESS OTHERWISE SPECIFIED TOLERANCES FOR INCHES ARE:  .020 - .315 = ± 0.007"  .315 - 1.180 = ± 0.015"  1.180 - 4.724 = ± 0.020"</small>					APPROVALS DRAWN GRS CHECKED ISSUED SHEET 1 OF 1 CAD FILE C:/172/172101.DWG	DATE 10/10/08	<h1 style="color: blue;">Amphenol Connex</h1>		
					PART DESCRIPTION <h2 style="text-align: center;">N CRIMP PLUG (FOR RG-59/U CABLE)</h2>				
					PART NO. <h2 style="text-align: center;">172101</h2>				
					DWG. NO. 172101.DWG		REV. A	SIZE A	SCALE NA