

Media: air – water – gases – liquid
 Pressure range: 0 to 10 Bar max
 Media temperature: -15°C +100°C max
 Ambient temperature: -15°C to +50°C
 Media viscosity: 500 centistokes max
 Duty cycle: 100,000
 Mounting: Any
 Seals: PTFE

Actuated Ball Valve

1/2 – 1
STANDARD + FAILSAFE
2 WAY DIRECT
 0 – 10 Bar
TYPE ABVM/AR



PRESSURE

| Ø Port BSP | Orifice mm | Operating Time Seconds | Pressure Rating (Bar) ΔP | | Voltage | Part Number |
|------------|------------|------------------------|--------------------------|-----|-------------------|--------------------|
| | | | Min | Max | | |
| 1/2 | 15 | 5 | 0 | 10 | 9 to 24v AC or DC | ABVM04S/9 + option |
| | | | | | 110 to 240vAC | ABVM04S/2 + option |
| 3/4 | 20 | 5 | 0 | 10 | 9 to 24v AC or DC | ABVM06S/9 + option |
| | | | | | 110 to 240vAC | ABVM06S/2 + option |
| 1 | 25 | 5 | 0 | 10 | 9 to 24v AC or DC | ABVM08S/9 + option |
| | | | | | 110 to 240vAC | ABVM08S/2 + option |

OPTIONS

Visual Position Indication, Failsafe Closed (+AR), Failsafe Open (+AR-NO)
 Manual Over Ride (Lift + Turn +MO) 9-24 volt only.
 3 wire control (power open and power closed)
 Fully Open and fully closed position volt free feedback switches (+E2)
 316 Stainless, 3 piece, 3 way & Brass Ball Valves or 1.5mtr lead wire or more

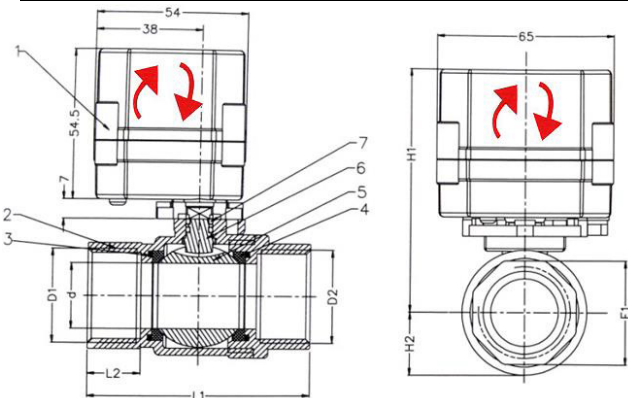
ELECTRICAL DATA

| Voltage Min - Max Continuous Duty 100% | Actuator | | Power | | Enclosure | Electrical connections |
|---|----------|--------|---------|------------|-----------|------------------------|
| | Model | Torque | Moving | Holding | | |
| 9 to 24 volts AC 50/60Hz or DC | ABVM | 2 Nm | 5 Watts | 0.22 Watts | IP67 | 0.5 meter lead wires |
| 110 to 240 volts AC 50/60Hz | | | | 0.6 Watts | | |

CONSTRUCTION

Valve Body: 304 stainless steel static test pressure 35 Bar.
 Seals: Stem FKM, Ball PTFE Floating no leakage design
 ABVM Actuator: ABS Engineering Plastic, Gears: Metal, Function test 200 cycles Open/Close

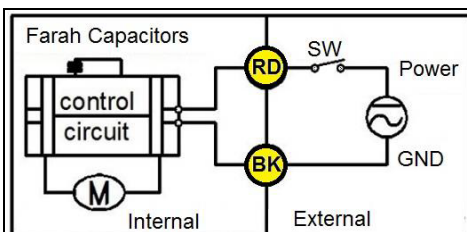
OVERALL DIMENSIONS



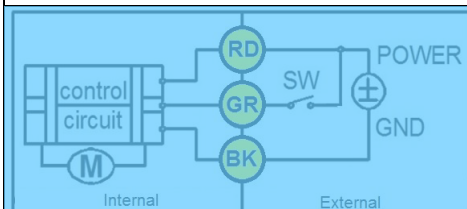
| Port D1/D2 | d | L1 | L2 | E1 | H1 | H2 | Kg |
|------------|----|----|----|----|----|----|-----|
| 1/2 | 15 | 63 | 14 | 25 | 83 | 17 | 0.4 |
| 3/4 | 20 | 72 | 17 | 31 | 87 | 20 | 0.5 |
| 1 | 25 | 81 | 18 | 38 | 95 | 24 | 0.6 |

| Reference | Description | Material |
|-----------|-------------|----------|
| 1 | Actuator | ABS |
| 2 | Body Cover | SS304 |
| 3 | O Ring | FKM |
| 4 | Sealing | PTFE |
| 5 | Ball | SS304 |
| 6 | Stem | SS304 |
| 7 | O Ring | FKM |

Requires 10-15 seconds (Out of the box) first Power On, thereafter a minimum 6-10 seconds power ON to recharge the Farah capacitor reserve power.



Failsafe Control.
 Power ON motor actuates valve into powered position and then automatically powers off. Valve stays in powered position.
 Power OFF motor actuates valve back to start position using reserve power. Valve stays in start position.



3 Wire Control
 Power ON to GREEN motor actuates valve into powered position and then automatically powers off. Valve stays in powered position.
 Power OFF to GREEN motor actuates valve back to start position and then automatically powers off. Valve stays in start position.

With Position Feed Back Switches

