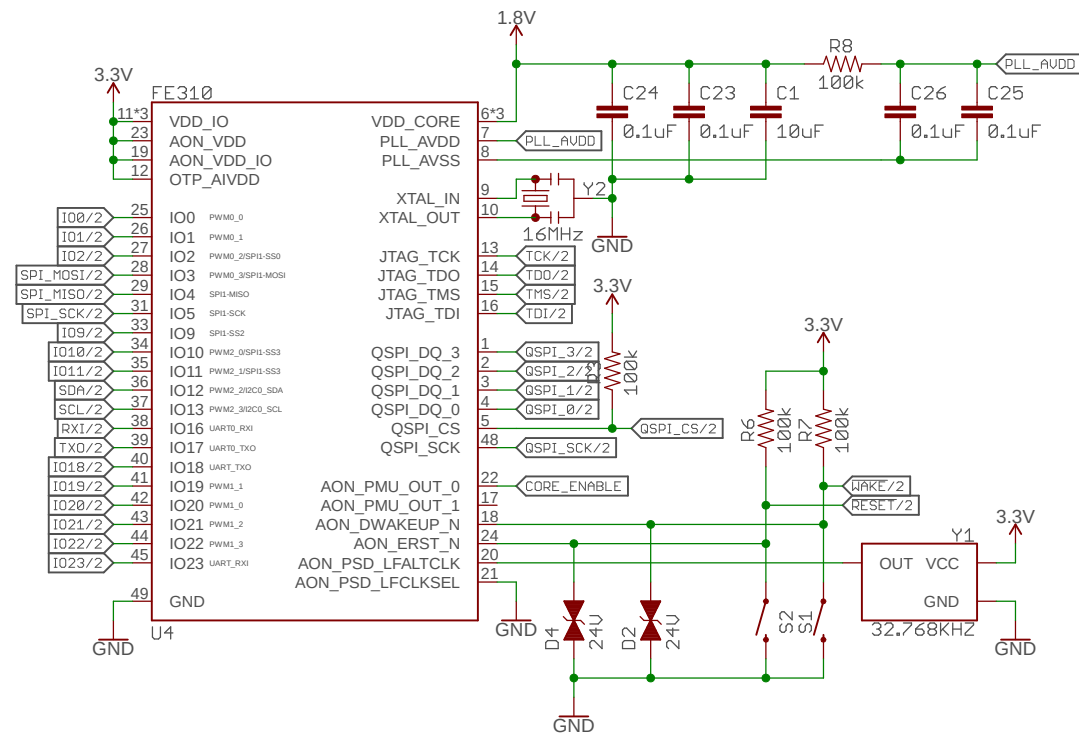
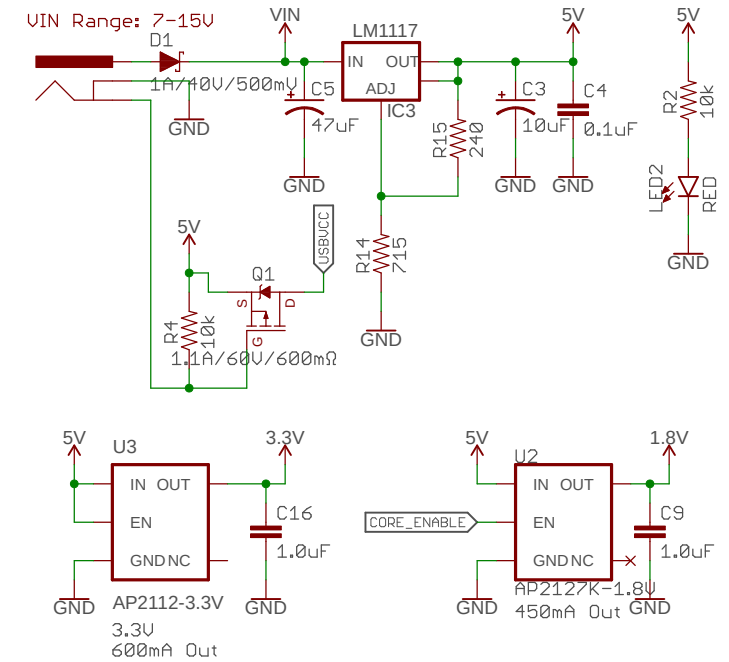


FE310

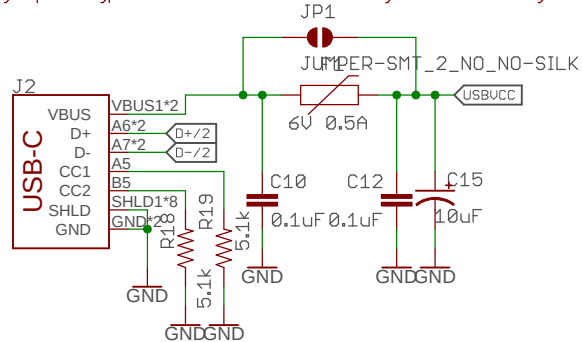


Power Supply



USB-C Connector

Closing this jumper bypasses the .5A fuse. Only close it if you need a lot of current.



Released under the Creative Commons Attribution Share-Alike 4.0 License
<https://creativecommons.org/licenses/by-sa/4.0/>

TITLE: SparkFun_RED-V_RedBoard

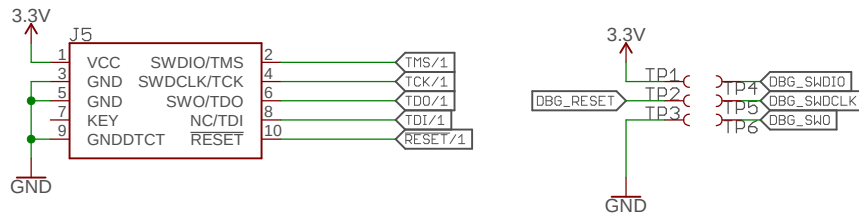
Design by: Andy England
 Based on Arduino by: M.Banzi, D.Cuartielles, T.Igoe, G.Martino, D.Mellis

REV: v10

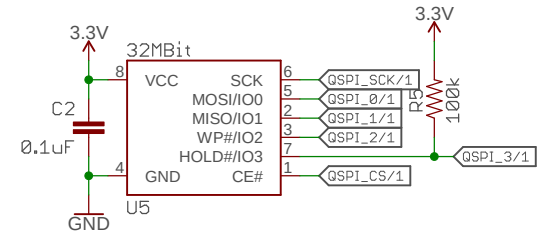
Date: 11/22/2019 1:16 PM

Sheet: 1/2

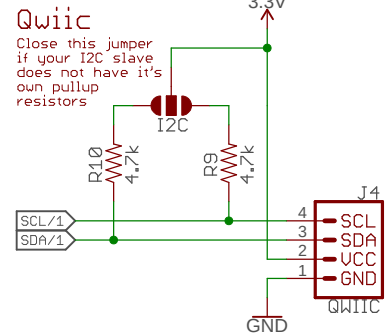
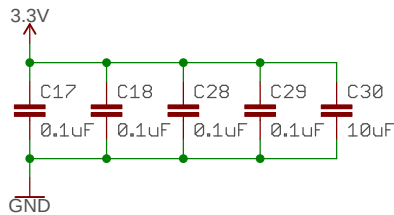
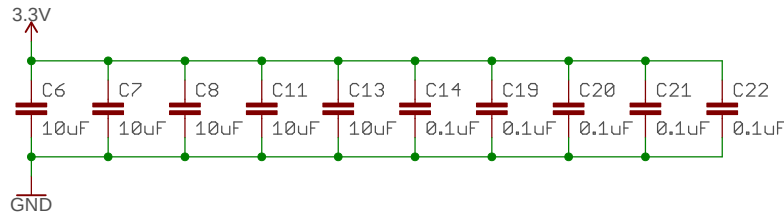
Programming Headers



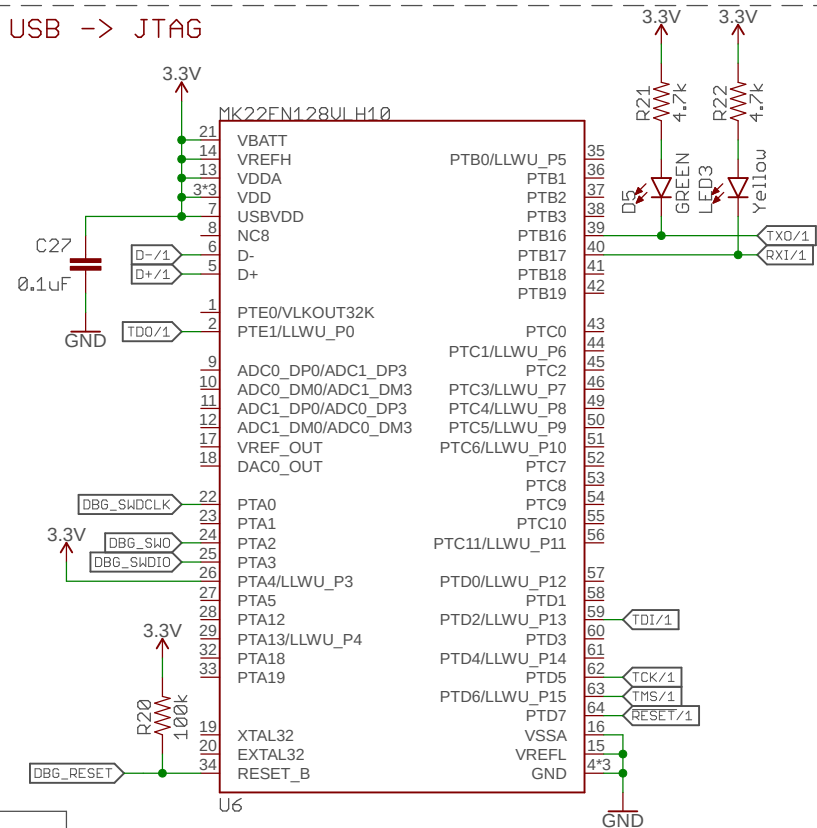
32MBit QSPI Flash



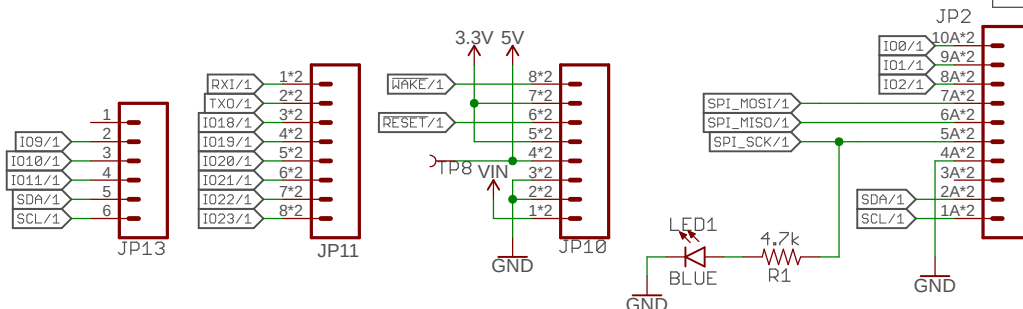
Capacitors



USB -> JTAG



Headers



Released under the Creative Commons Attribution Share-Alike 4.0 License
<https://creativecommons.org/licenses/by-sa/4.0/>

TITLE: SparkFun_RED-V_RedBoard

Design by: Andrew England

REV:
v10

Date: 11/22/2019 1:16 PM

Sheet: 2/2