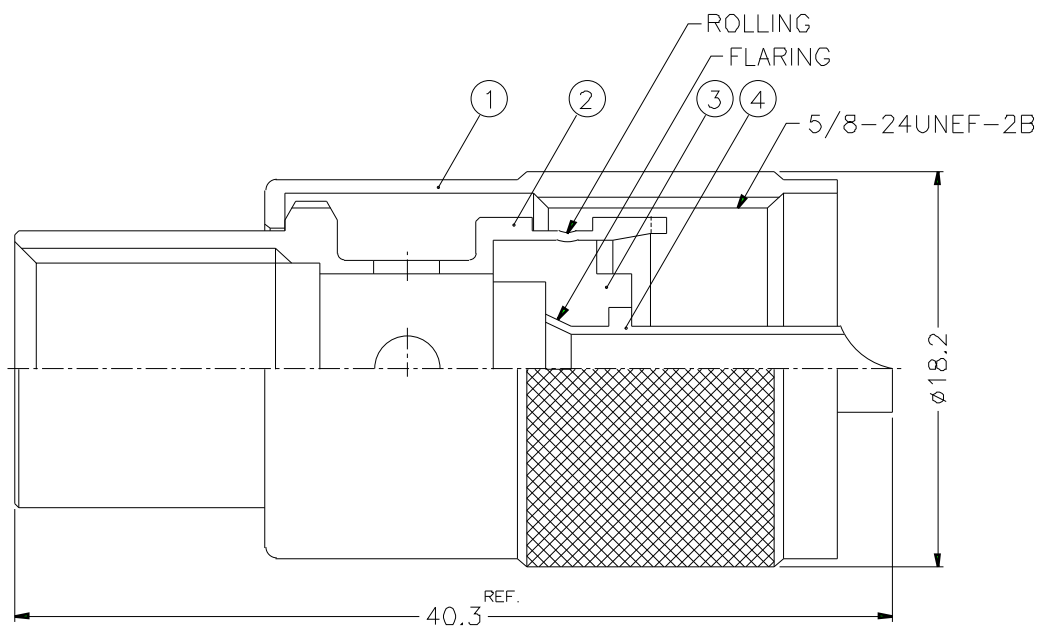


		1		2		3		4		5		6		7		8	
REVISIONS																	
ISS	ZONE	DESCRIPTION\PER REQUEST\DATE															



NOTES: FINISH (PLATING THICKNESS IN MICRO-INCHES)
 1. BRASS PER QQ-B-626
 2. NICKEL PL. 80 MIN. THICK OVER COPPER STRIKE
 3. NICKEL PL. 80 MIN. THICK OVER COPPER PL. 300 MIN.
 4. SILVER PL. 40 MIN. THICK OVER COPPER STRIKE
 5. PHENOLIC, YELLOW PER PANTONE 110C

DIMENSIONS ARE IN MILLIMETERS				PART NO. OS-U1181C1-NPHS-50	
UNLESS OTHERWISE SPECIFIED TOLERANCES				APPROVED	DATE
0.5-6 = ±0.2					10-11-01'
6-30 = ±0.4				CHECKED	DATE
30-120 = ±0.6					10-11-01'
120-315 = ±1				DRAWN	DATE
315-1000 = ±1.6					10-11-01'
1000-2000 = ±2.4				FILE NO.	

Amphenol	
TITLE UHF SOLDER PLUG	
DRAWING NO. OS-U1181C1-NPHS-50	
ITEM NO.	

4	CONTACT PIN	NOTE 1	NOTE 4		
3	INSULATOR	NOTE 5	NOTE 5		
2	BODY	DIECAST	NOTE 3		
1	SHELL	NOTE 1	NOTE 2		
NO.	DESCRIPTION	MATERIAL	FINISH	Q'TY	DRAWING NO.

1	2	3	4	5	6	7	8
---	---	---	---	---	---	---	---