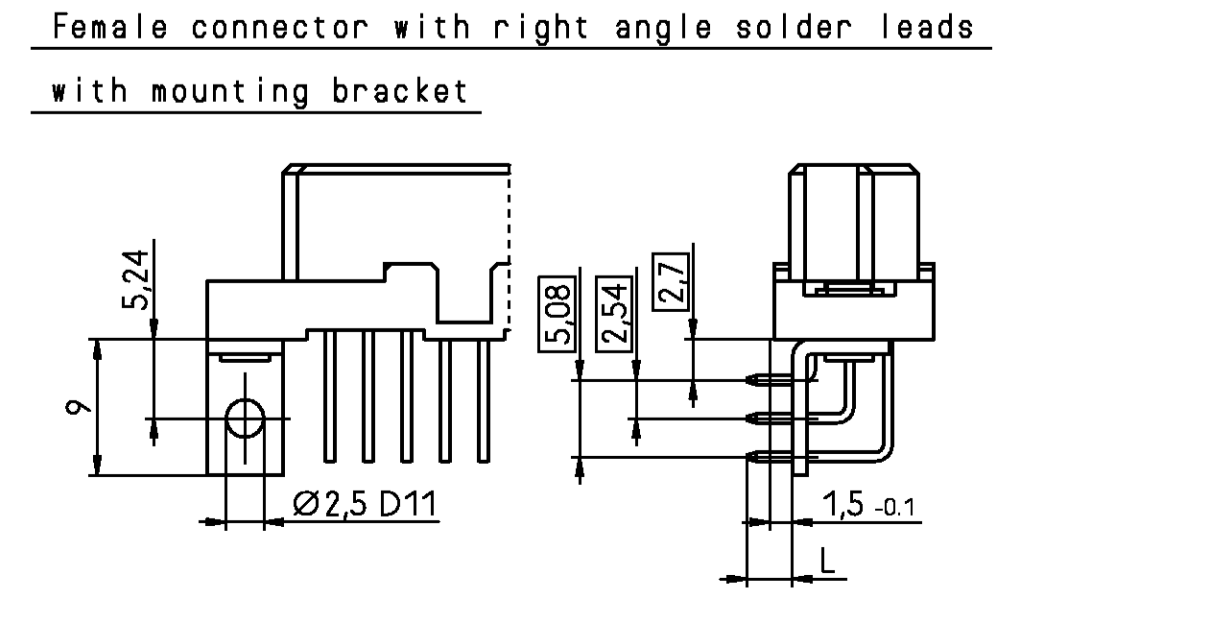
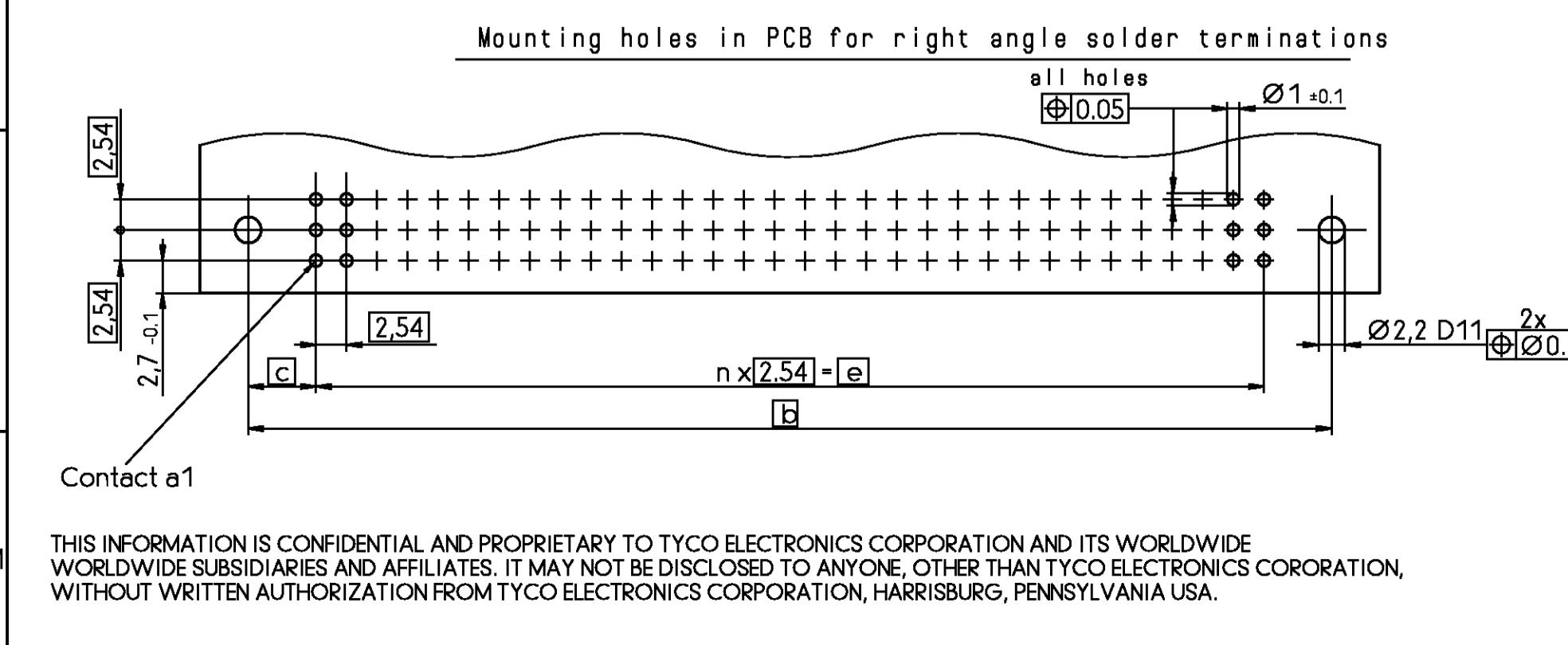
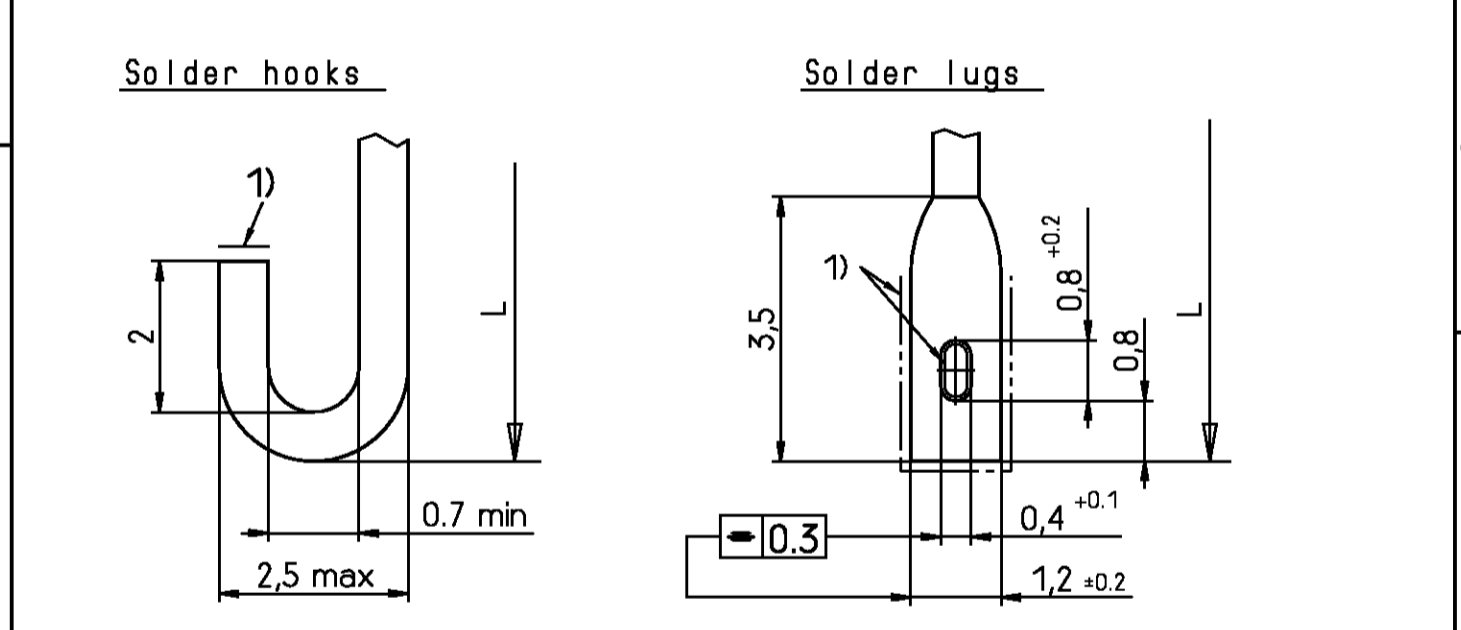
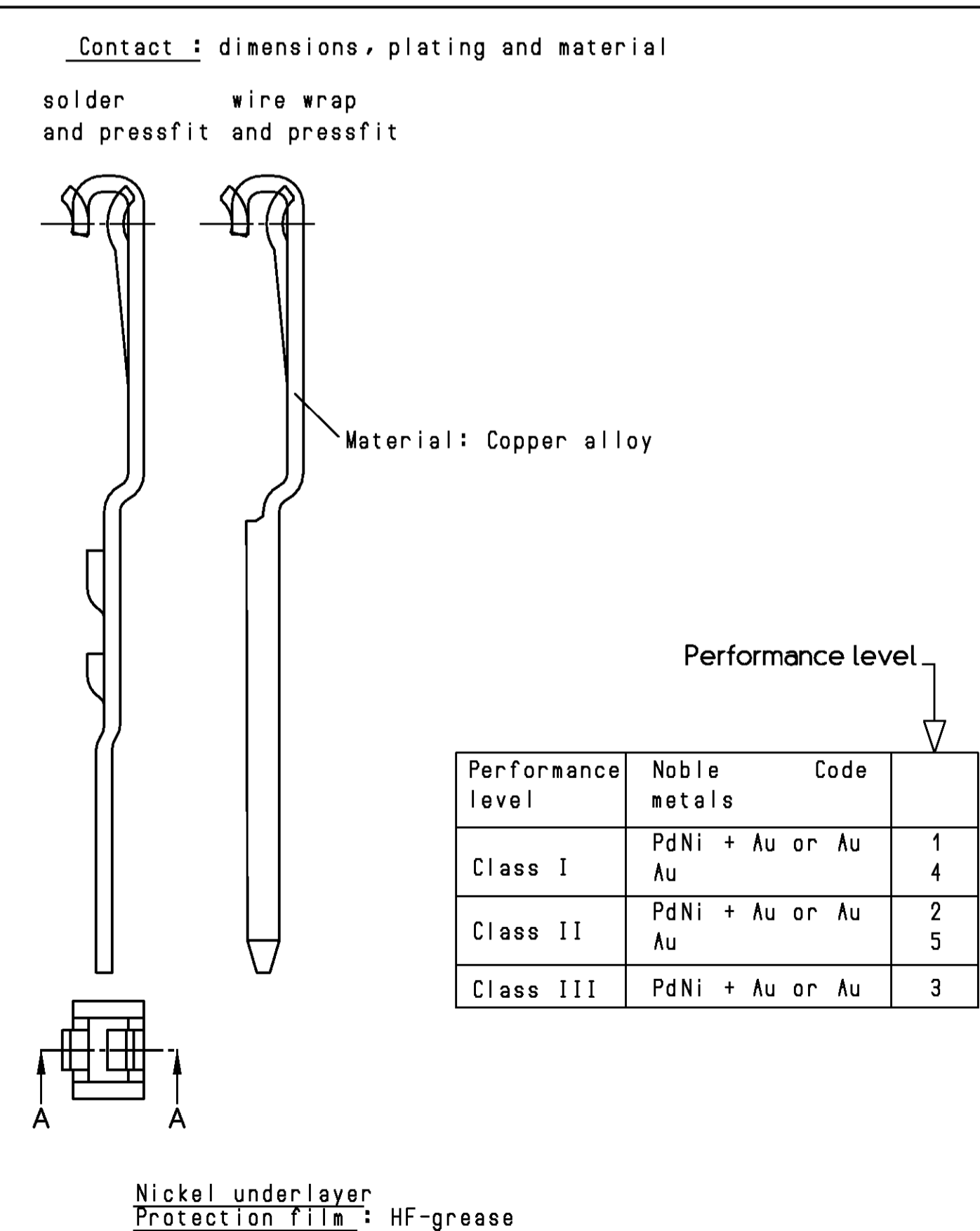
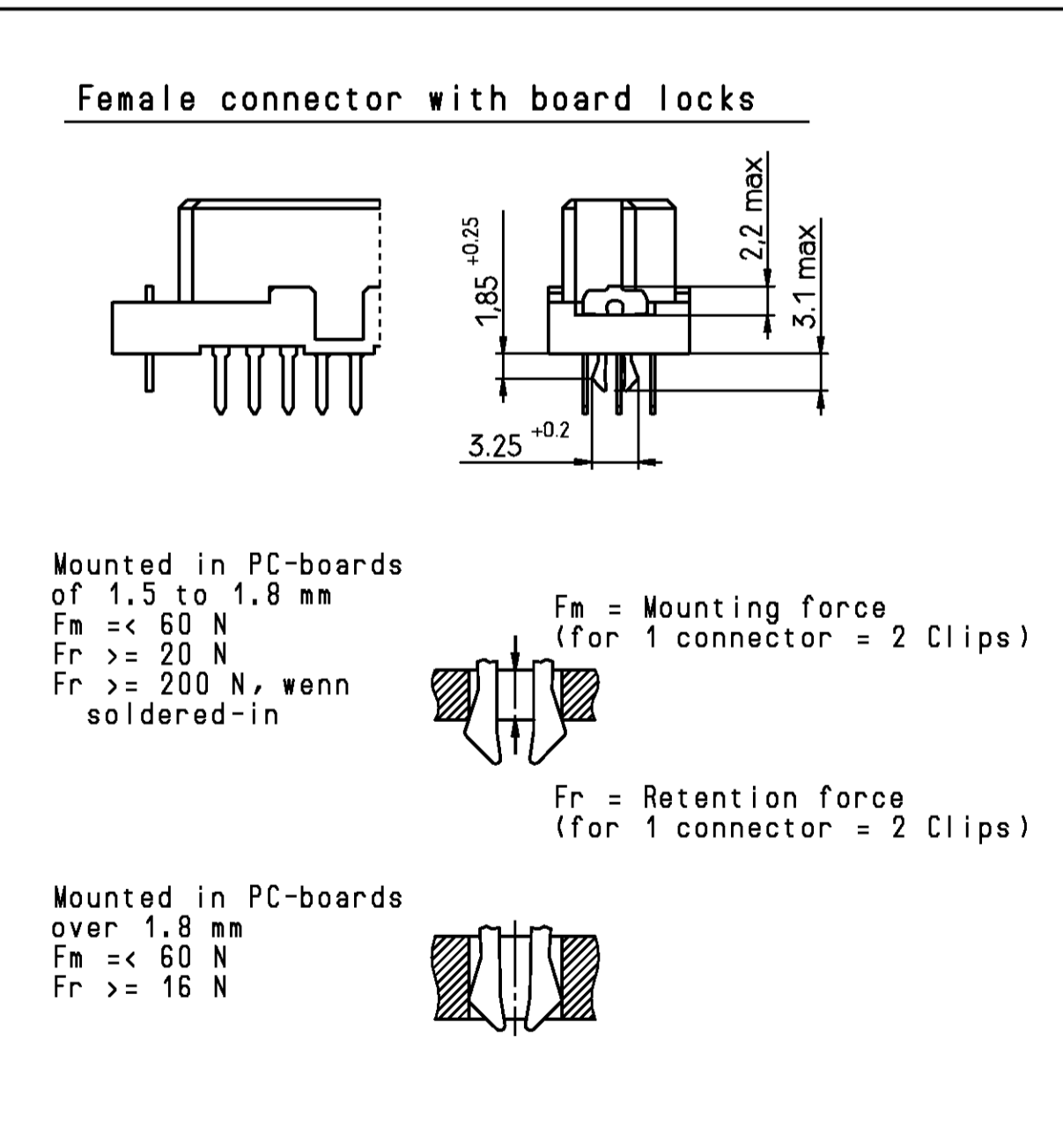
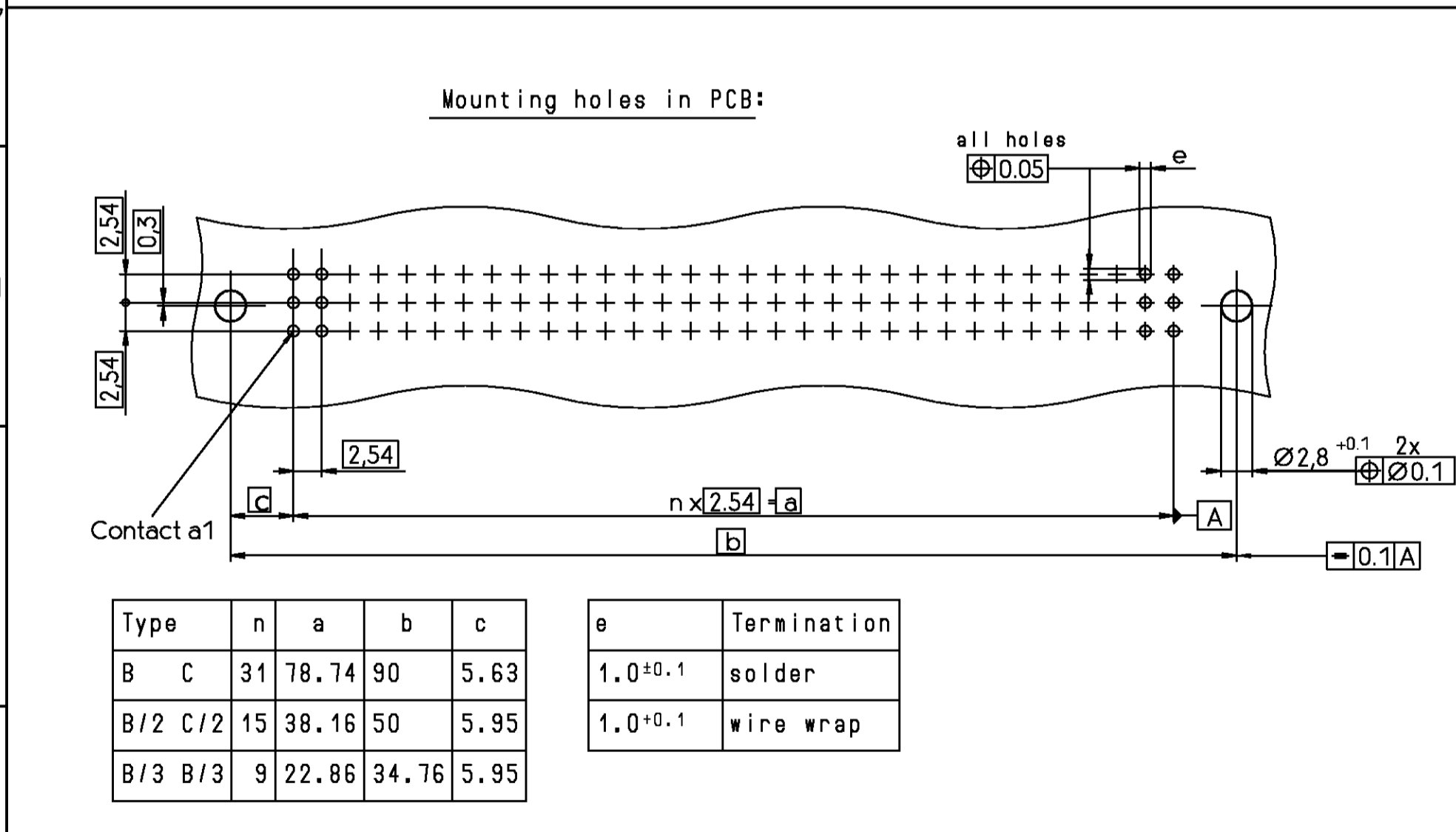


Termination Styles

| Termination Style | L | Code |
|---|-----------------------|------|
| Solder terminations | 2.9 ± 0.3 | 01 |
| | 3.7 ± 0.3 | 05 |
| | 4.5 ± 0.3 | 02 |
| | 6 ± 0.3 | 03 |
| Wire wrap terminations and solder termination | 7.3 ± 0.3 | 04 |
| Solder hooks | 13 ± 0.5 | 40 |
| | 5.5 ± 0.3 10 ± 0.5 | 30 |
| Solder lugs | 5.5 ± 0.3 10 ± 0.5 | 35 |
| | 1.55 ± 0.4 | 00 |
| Solder right angle | 3 - 0.4 | 10 |
| | with mounting bracket | |
| Termination with Sn | 13 ± 0.5 | 60 |
| | 17 ± 0.5 | 61 |
| | 4 ± 0.5 | 63 |
| | 13 ± 0.5 | 66 |
| | 17 ± 0.5 | 67 |
| | 6 ± 0.5 | 69 |
| | 6 ± 0.5 | 70 |



V 4 2 2 5 4 - * 2 * * * - + * * *

B : Standard version
 F : Version with flux-tight coating

Code for performance level
 Code for termination style

Style, no of contacts and contact assignment see Page 2

THIS INFORMATION IS CONFIDENTIAL AND PROPRIETARY TO TYCO ELECTRONICS CORPORATION AND ITS WORLDWIDE SUBSIDIARIES AND AFFILIATES. IT MAY NOT BE DISCLOSED TO ANYONE, OTHER THAN TYCO ELECTRONICS CORPORATION, WITHOUT WRITTEN AUTHORIZATION FROM TYCO ELECTRONICS CORPORATION, HARRISBURG, PENNSYLVANIA USA.

