

## DC Power Connectors

Order code	Manufacturer code	Description
23-1215	PX0429	3 POLE MIN.PANEL PLUG (RC)

DC Power Connectors	Page 1 of 6
The enclosed information is believed to be correct, Information may change without notice due to product improvement. Users should ensure that the product is suitable for their use. E. & O. E.	Revision A 20/02/2007

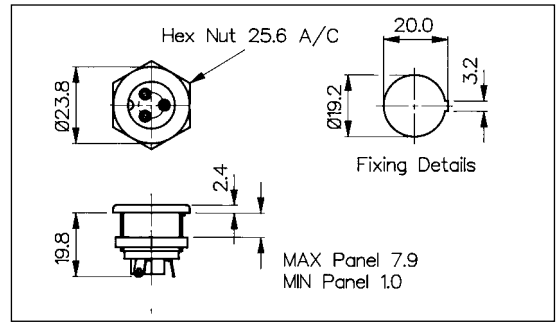
Plugs and Sockets (2 Pole + Earth)

CIRCULAR MALE INLET



- 2 Pole + Earth
- Mates with PX0430/SE and PX0646
- Key to Ensure Correct Polarity
- Solder Tags
- 3A, 250V a.c.

PX0429

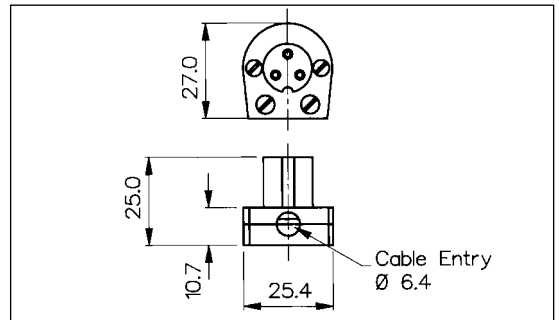


CIRCULAR FEMALE CONNECTOR



- 2 Pole + Earth
- Mates with PX0429
- Key Way to Ensure Correct Polarity
- Solder Tags
- 3A, 250V a.c.

PX0430/SE

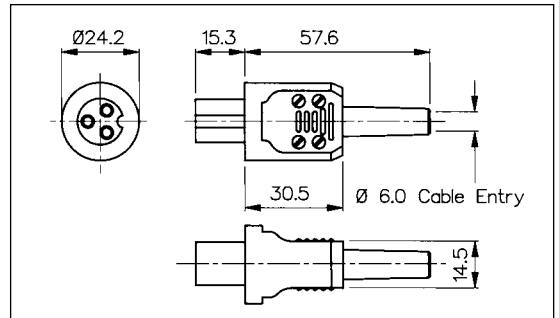


CIRCULAR FEMALE CONNECTOR



- 2 Pole + Earth
- Mates with PX0429
- Key Way to Ensure Correct Polarity
- Solder Tags
- 3A, 250V a.c.

PX0646



GEN. PURPOSE

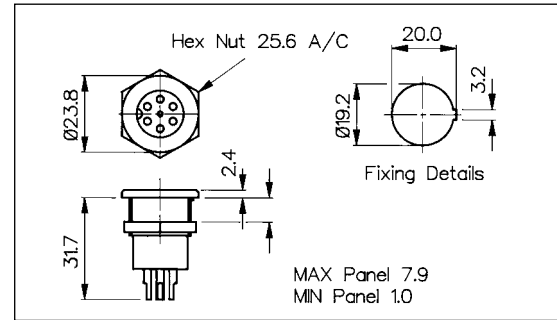
Specification	PX0429	PX0430/SE	PX0646
Terminations:	Solder Tags	Solder Tags	Solder Tags
Max. Rating:	3A, 250V a.c.	3A, 250V a.c.	3A, 250V a.c.
Contact Resistance:	<10mΩ	<10mΩ	<10mΩ
Insulation Resistance:	>10 <sup>5</sup> MΩ	>10 <sup>5</sup> MΩ	>10 <sup>5</sup> MΩ
A.C. Breakdown:	Pole-Pole 4.5kV Poles-Panel 8.5kV	Pole-Pole 4.5kV Poles-Accessible Parts 3.5kV	Pole-Pole 4.5kV Poles-Accessible Parts 3.5kV
Operating Temp. Range:	-20°C to +60°C	-20°C to +60°C	-20°C to +60°C
Mouldings:	Glass Filled Nylon	Nylon and Glass Filled Nylon	Nylon and Glass Filled Nylon
Contacts:	Brass, Tin Plated	Brass, Silver Plated	Brass, Silver Plated
Accessories:	P.No. 9455 (see page 151)		
Mates With:	PX0430/SE & PX0646	PX0429	PX0429
<b>RoHS</b>	Compliant	Compliant	Compliant

## Plug and Socket (6 Pole)

### CIRCULAR MALE INLET



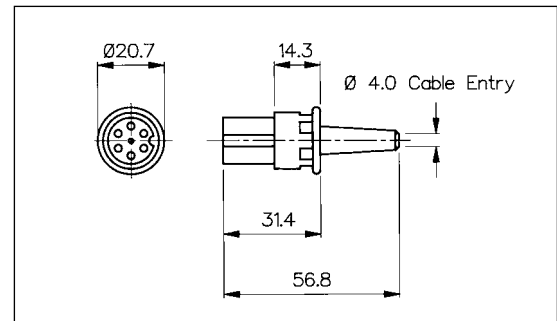
- 6 Pole
- Mates with PX0636
- Key to Ensure Correct Polarity
- Solder Buckets
- 3A, 50V a.c.



### CIRCULAR FEMALE CONNECTOR



- 6 Pole
- Mates with PX0635
- Key Way to Ensure Correct Polarity
- Solder Tags
- 3A, 50V a.c.



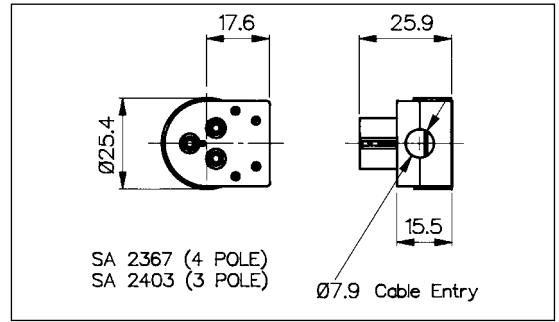
Specification	PX0635	PX0636
Terminations:	Solder Buckets	Solder Tags
Max. Rating:	3A, 50V a.c.	3A, 50V a.c.
Contact Resistance:	<10mΩ	<10mΩ
Insulation Resistance:	>10 <sup>4</sup> MΩ	>10 <sup>4</sup> MΩ
A.C. Breakdown:	Pole-Pole 2.1kV Poles-Panel 6.0kV	Pole-Pole 2.1kV Poles-Accessible Parts 1.5kV
Operating Temp. Range:	-20°C to +60°C	-20°C to +60°C
Mouldings:	Glass Filled Nylon	Glass Filled Nylon
Contacts:	Brass, Silver Plated	Brass, Silver Plated
Accessories:	P.No. 9455 (see page 151)	
Mates With:	PX0636	PX0635
<b>RoHS</b>	Compliant	Compliant

Plugs and Sockets (3 & 4 pole)

CIRCULAR MALE CONNECTOR



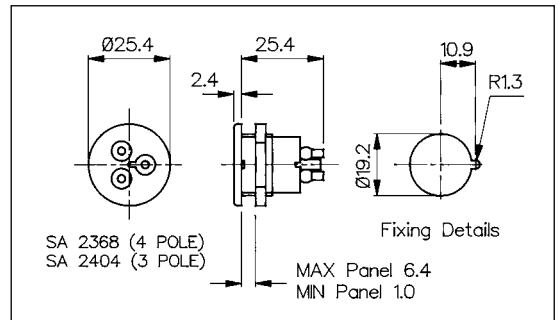
- Mates with SA2404 (3 pole) and SA2368 (4 pole)
- Key to Ensure Correct Polarity
- Screw Terminals
- 3A, 250V a.c.



CIRCULAR FEMALE OUTLET



- Mates with SA2403 (3 pole) and SA2367 (4 pole)
- Key Way to Ensure Correct Polarity
- Solder Sockets
- 3A, 250V a.c.

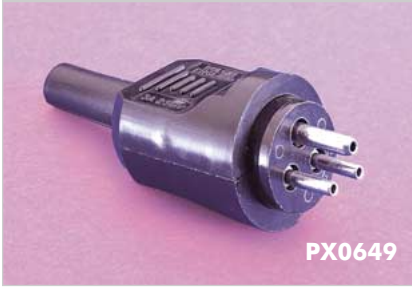


GEN. PURPOSE

Specification	SA2403 (3 Pole) SA2367 (4 Pole)	SA2404 (3 Pole) SA2368 (4 Pole)
Terminations:	Screw Terminals	Solder Buckets
Max. Rating:	3A, 250V a.c.	3A, 250V a.c.
Contact Resistance:	<10mΩ	<10mΩ
Insulation Resistance:	>10 <sup>4</sup> MΩ	>10 <sup>4</sup> MΩ
A.C. Breakdown:	Pole-Pole 4.2kV Poles-Accessible Parts 2kV	Pole-Pole 4.2kV Poles-Panel 8.2kV
Operating Temp. Range:	-20°C to +70°C	-20°C to +70°C
Mouldings:	Glass Filled Nylon	Glass Filled Nylon
Contacts:	Brass, Nickel Plated	Brass, Tin Plated
Accessories:		P.No. 9455 (see page 151)
Mates With:	3 Pole - SA2404 4 Pole - SA2368	3 Pole - SA2403 4 Pole - SA2367
<b>RoHS</b>	Compliant	Compliant

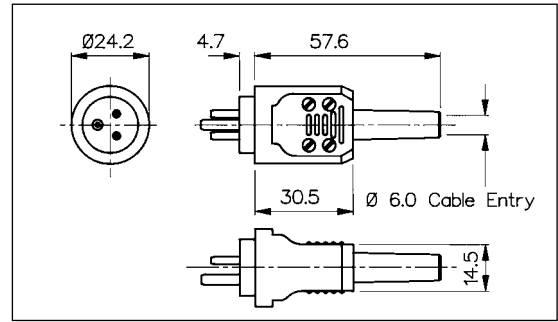
## Plug and Socket (2 Pole + Earth)

### CIRCULAR MALE CONNECTOR



PX0649

- 2 Pole + Earth
- Mates with PX0650
- Solder Sockets
- 3A, 250V a.c.

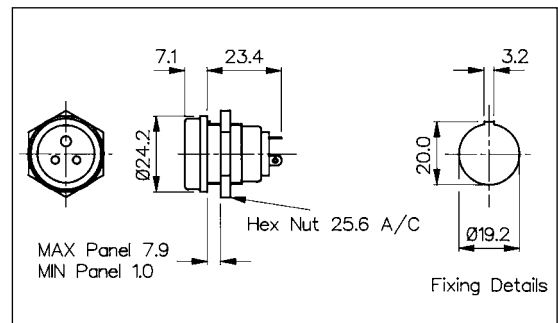


### CIRCULAR FEMALE OUTLET



PX0650

- 2 Pole + Earth
- Mates with PX0649
- Solder Tags
- 3A, 250V a.c.



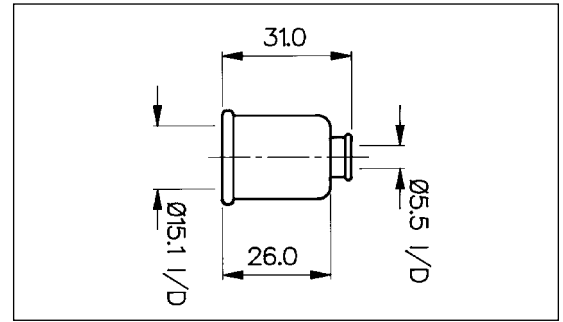
GEN. PURPOSE

Specification	PX0649	PX0650
Terminations:	Solder Sockets	Solder Tags
Max. Rating:	3A, 250V a.c.	3A, 250V a.c.
Contact Resistance:	<10mΩ	<10mΩ
Insulation Resistance:	>10 <sup>4</sup> MΩ	>10 <sup>4</sup> MΩ
A.C. Breakdown:	Pole-Pole 4.2kV Poles-Accessible Parts 10kV	Pole-Pole 4.2kV Poles-Panel 10kV
Operating Temp. Range:	-20°C to +60°C	-20°C to +60°C
Mouldings:	Nylon and Phenolic	Glass Filled Nylon
Contacts:	Brass, Tin Plated	Brass, Silver Plated
Accessories:		P.No. 9455 (see page 151)
Mates With:	PX0650	PX0649
<b>RoHS</b>	Compliant	Compliant

INSULATION BOOT



- Prevents Accidental Removal of Connector
- Insulating Boot
- Protects Against Accidental Electric Shock



GEN. PURPOSE

Specification	P.No. 9455
	Insulation cover for PX0429, PX0635, PX0650, SA2368, SA2404
Operating Temp. Range:	-20°C to +60°C
Max. Working Voltage:	250V a.c.
Flash Tested:	2kV a.c.
Material:	P.V.C.
Flammability Rating:	UL94V-0
<b>RoHS</b>	Compliant