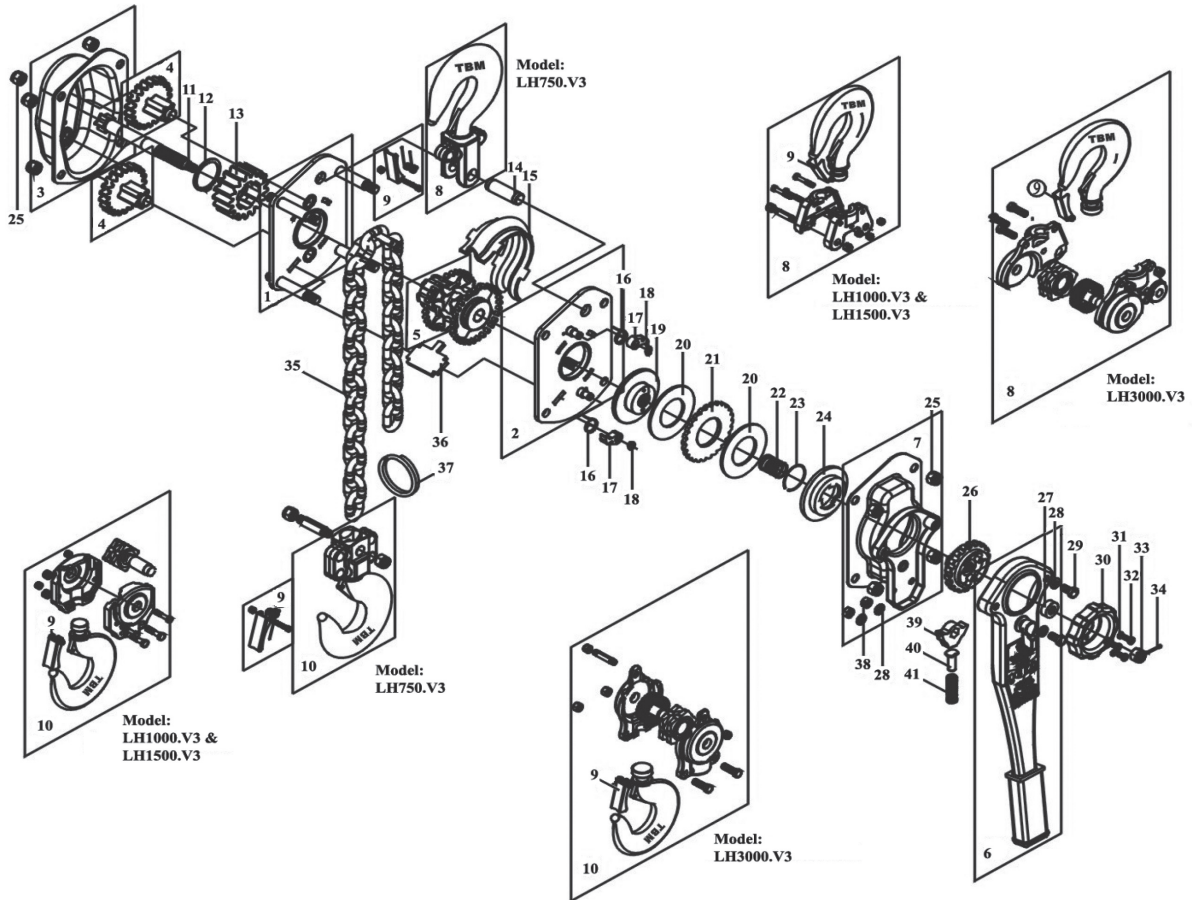


Parts Information:

Lever Hoists

Model No: LH750.V3, LH1000.V3, LH1500.V3, LH3000.V3



ITEM	PART NO	PART NO	PART NO	PART NO	DESCRIPTION
1	LH750.V3-01	LH1000.V3-01	LH1500.V3-01	LH3000.V3-01	GEAR SIDE PLATE ASS'Y
2	LH750.V3-02	LH1000.V3-02	LH1500.V3-02	LH3000.V3-02	LEVER SIDE PLATE
3	LH750.V3-03	LH1000.V3-03	LH1500.V3-03	LH3000.V3-03	GEAR CASE ASS'Y
4	LH750.V3-04	LH1000.V3-04	LH1500.V3-04	LH3000.V3-04	THIRD GEAR ASS'Y
6	LH750.V3-06	LH1000.V3-06	LH1500.V3-06	LH3000.V3-06	LEVER ASS'Y
7	LH750.V3-07	LH1000.V3-07	LH1500.V3-07	LH3000.V3-07	LEVER HANDLE ASS'Y
8	LH750.V3-08	LH1000.V3-08	LH1500.V3-08	LH3000.V3-08	TOP HOOK ASS'Y
9	LH750.V3-09	LH1000.V3-09	LH1500.V3-09	LH3000.V3-09	SAFETY LATCH ASS'Y
10	LH750.V3-10	LH1000.V3-10	LH1500.V3-10	LH3000.V3-10	BOTTOM HOOK ASS'Y
11	LH750.V3-11	LH1000.V3-11	LH1500.V3-11	LH3000.V3-11	PINION GEAR
12	LH750.V3-12	LH1000.V3-12	LH1500.V3-12	LH3000.V3-12	SNAP RING
13	LH750.V3-13	LH1000.V3-13	LH1500.V3-13	LH3000.V3-13	LOAD GEAR
14	LH750.V3-14	LH1000.V3-14	LH1500.V3-14	LH3000.V3-14	TOP HOOK PIN
15	LH750.V3-15	LH1000.V3-15	LH1500.V3-15	LH3000.V3-15	LOAD SHEAVE
16	LH750.V3-16	LH1000.V3-16	LH1500.V3-16	LH3000.V3-16	PAWL SPRING
17	LH750.V3-17	LH1000.V3-17	LH1500.V3-17	LH3000.V3-17	PAWL
18	LH750.V3-18	LH1000.V3-18	LH1500.V3-18	LH3000.V3-18	SNAP RING
19	LH750.V3-19	LH1000.V3-19	LH1500.V3-19	LH3000.V3-19	DISC HUB
20	LH750.V3-20	LH1000.V3-20	LH1500.V3-20	LH3000.V3-20	FRICITION DISC
21	LH750.V3-21	LH1000.V3-21	LH1500.V3-21	LH3000.V3-21	RATCHET DISC
22	LH750.V3-22	LH1000.V3-22	LH1500.V3-22	LH3000.V3-22	SPRING (24x30)
23	LH750.V3-23	LH1000.V3-23	LH1500.V3-23	LH3000.V3-23	RETAINING RING
24	LH750.V3-24	LH1000.V3-24	LH1500.V3-24	LH3000.V3-24	DISC HUB
25	LH750.V3-25	LH1000.V3-25	LH1500.V3-25	LH3000.V3-25	HEX NUT (M8)
26	LH750.V3-26	LH1000.V3-26	LH1500.V3-26	LH3000.V3-26	FEED GEAR
27	LH750.V3-27	LH1000.V3-27	LH1500.V3-27	LH3000.V3-27	SPACER
28	LH750.V3-28	LH1000.V3-28	LH1500.V3-28	LH3000.V3-28	O-RING
29	LH750.V3-29	LH1000.V3-29	LH1500.V3-29	LH3000.V3-29	LEVER BOLT (M6x12)
30	LH750.V3-30	LH1000.V3-30	LH1500.V3-30	LH3000.V3-30	FEED HANDLE
31	LH750.V3-31	LH1000.V3-31	LH1500.V3-31	LH3000.V3-31	O-RING
32	LH750.V3-32	LH1000.V3-32	LH1500.V3-32	LH3000.V3-32	SCREW
33	LH750.V3-33	LH1000.V3-33	LH1500.V3-33	LH3000.V3-33	NUT (M10)
34	LH750.V3-34	LH1000.V3-34	LH1500.V3-34	LH3000.V3-34	PIN (2.5x20)
35	LH750.V3-35	LH1000.V3-35	LH1500.V3-35	LH3000.V3-35	LOAD CHAIN (6x18)
36	LH750.V3-36	LH1000.V3-36	LH1500.V3-36	LH3000.V3-36	SPRING PLATE
37	LH750.V3-37	LH1000.V3-37	LH1500.V3-37	LH3000.V3-37	CHAIN STOPPER (70x15)
39	LH750.V3-38	LH1000.V3-38	LH1500.V3-38	LH3000.V3-38	NUT
39	LH750.V3-39	LH1000.V3-39	LH1500.V3-39	LH3000.V3-39	FEED RATCHET (46x30x9)
40	LH750.V3-40	LH1000.V3-40	LH1500.V3-40	LH3000.V3-40	SPRING PIN (18x32)
41	LH750.V3-41	LH1000.V3-41	LH1500.V3-41	LH3000.V3-41	RATCHET SPRING (9x40)

NOTE: It is our policy to continually improve products and as such we reserve the right to alter data, specifications and component parts without prior notice.

IMPORTANT: No liability is accepted for incorrect use of product. Spare parts must be fitted by a competent person

WARRANTY: Guarantee is 12 months from purchase date, proof of which will be required for any claim.