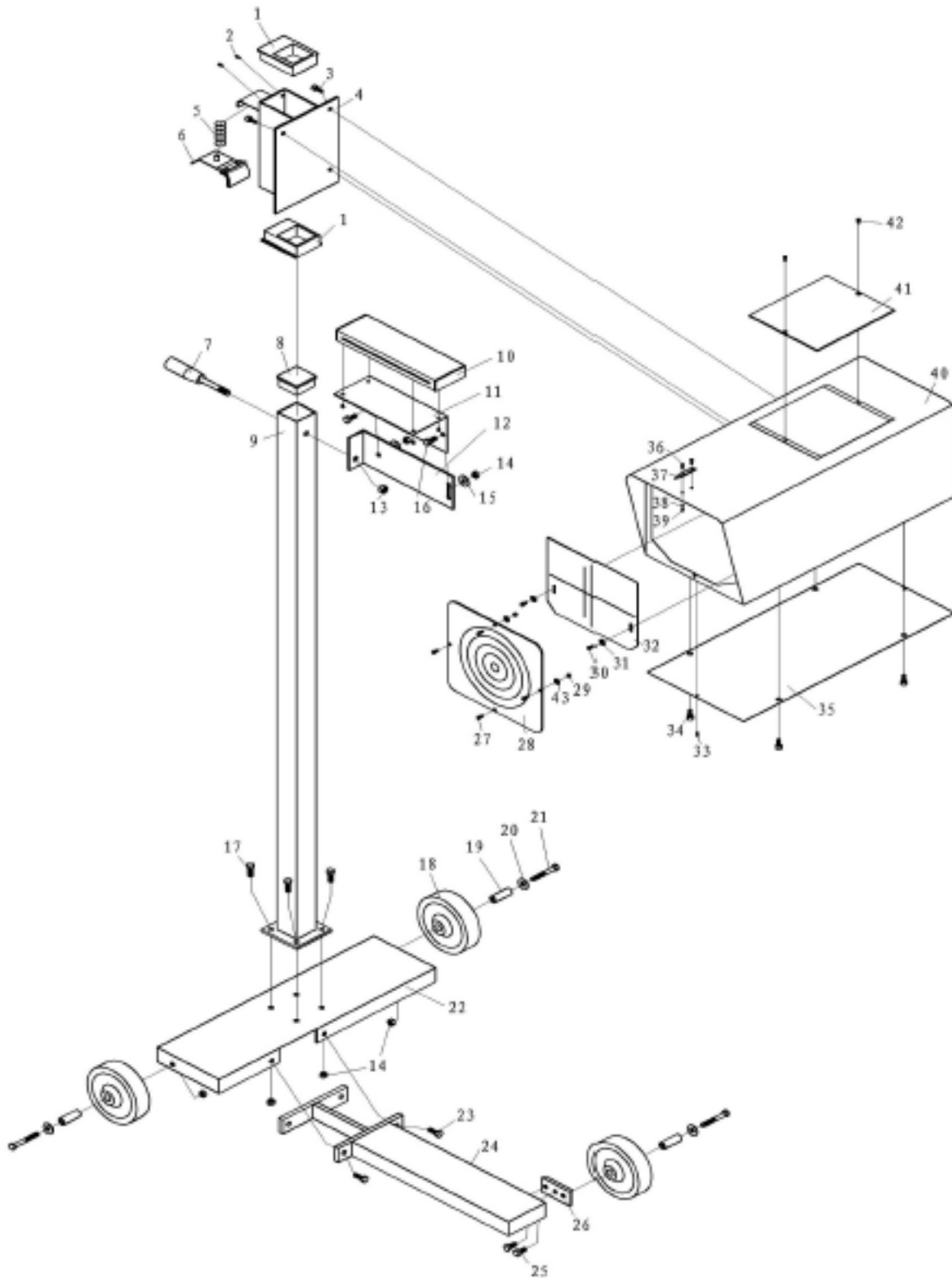




Parts Information:
Headlamp Beam Setter - Compact
Model No: HBS2010.V2



NOTE: It is our policy to continually improve products and as such we reserve the right to alter data, specifications and component parts without prior notice.

IMPORTANT: No liability is accepted for incorrect use of product.

WARRANTY: Guarantee is 12 months from purchase date, proof of which will be required for any claim.

Sealey Group, Kempson Way, Suffolk Business Park, Bury St Edmunds, Suffolk. IP32 7AR



01284 757500



01284 703534



sales@sealey.co.uk



www.sealey.co.uk



Parts Information:
Headlamp Beam Setter - Compact
Model No: HBS2010.V2

Item	Part No.	Description
1	HBS2010.V2-01	GUIDE RAIL
2	HBS2010.V2-02	TAPPING SCREW
3	HBS2010.V2-03	SCREW
4	HBS2010.V2-04	SLIDE TUBE
5	HBS2010.V2-05	SPRING
6	HBS2010.V2-06	GRIP
7	HBS2010.V2-07	LEVER
8	HBS2010.V2-08	END PLUG
9	HBS2010.V2-09	UPRIGHT
10	HBS2010.V2-10	VISOR
11	HBS2010.V2-11	ADJUSTING PLATE
12	HBS2010.V2-12	SWIVEL PLATE
13	HBS2010.V2-13	NUT
14	HBS2010.V2-14	NUT
15	HBS2010.V2-15	WASHER
16	HBS2010.V2-16	SCREW
17	HBS2010.V2-17	BOLT
18	HBS2010.V2-18	WHEEL, FIXED (122x15x34)
19	HBS2010.V2-19	WHEEL SPACER
20	HBS2010.V2-20	WASHER
21	HBS2010.V2-21	BOLT
22	HBS2010.V2-22	BASE

Item	Part No.	Description
23	HBS2010.V2-23	BOLT
24	HBS2010.V2-24	BASE EXTENSION
25	HBS2010.V2-25	SCREW
26	HBS2010.V2-26	WHEEL ADJUSTING PLATE
27	HBS2010.V2-27	SCREW
28	HBS2010.V2-28	LENS
29	HBS2010.V2-29	NUT
30	HBS2010.V2-30	SCREW
31	HBS2010.V2-31	WASHER
32	HBS2010.V2-32	SCALE PLATE
33	HBS2010.V2-33	TAPPING SCREW
34	HBS2010.V2-34	SCREW
35	HBS2010.V2-35	OPTICS BOX BASE PLATE
36	HBS2010.V2-36	BOLT
37	HBS2010.V2-37	POINTER
38	HBS2010.V2-38	SPRING WASHER
39	HBS2010.V2-39	NUT
40	HBS2010.V2-40	OPTICS BOX
41	HBS2010.V2-41	PLEXIGLASS COVER
42	HBS2010.V2-42	SCREW
43	HBS2010.V2-43	WASHER

NOTE: It is our policy to continually improve products and as such we reserve the right to alter data, specifications and component parts without prior notice.

IMPORTANT: No liability is accepted for incorrect use of product.

WARRANTY: Guarantee is 12 months from purchase date, proof of which will be required for any claim.

Sealey Group, Kempson Way, Suffolk Business Park, Bury St Edmunds, Suffolk. IP32 7AR



01284 757500



01284 703534



sales@sealey.co.uk



www.sealey.co.uk