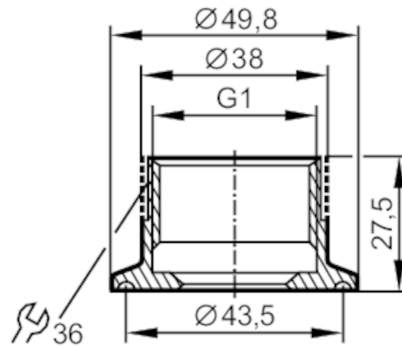


E33601



Process adapter Tri-Clamp

ADAPT G1-CLAMP ISO2852/1-1.5



CRN EC 1935/2004 EHEDG Tested FCM FDA

Application	
Pressure rating [bar]	16
MAWP (for applications according to CRN) [bar]	16
Tests / approvals	
Pressure Equipment Directive	A possible classification to PED depends on the application and has to be carried out by the user / operator.
Safety instructions	The compatibility between medium and product material has to be checked in all applications.
Mechanical data	
Weight [g]	140
Materials	stainless steel (1.4404 / 316L)
Sensor connection	G 1
Process connection	Clamp DN25...DN40 (1...1,5") DIN 32676 (ISO 2852)
Surface characteristics Ra/Rz of the wetted parts	0.4 / 4
Hygienic equipment class to DIN 11866	H4
Remarks	
Pack quantity	1 pcs.