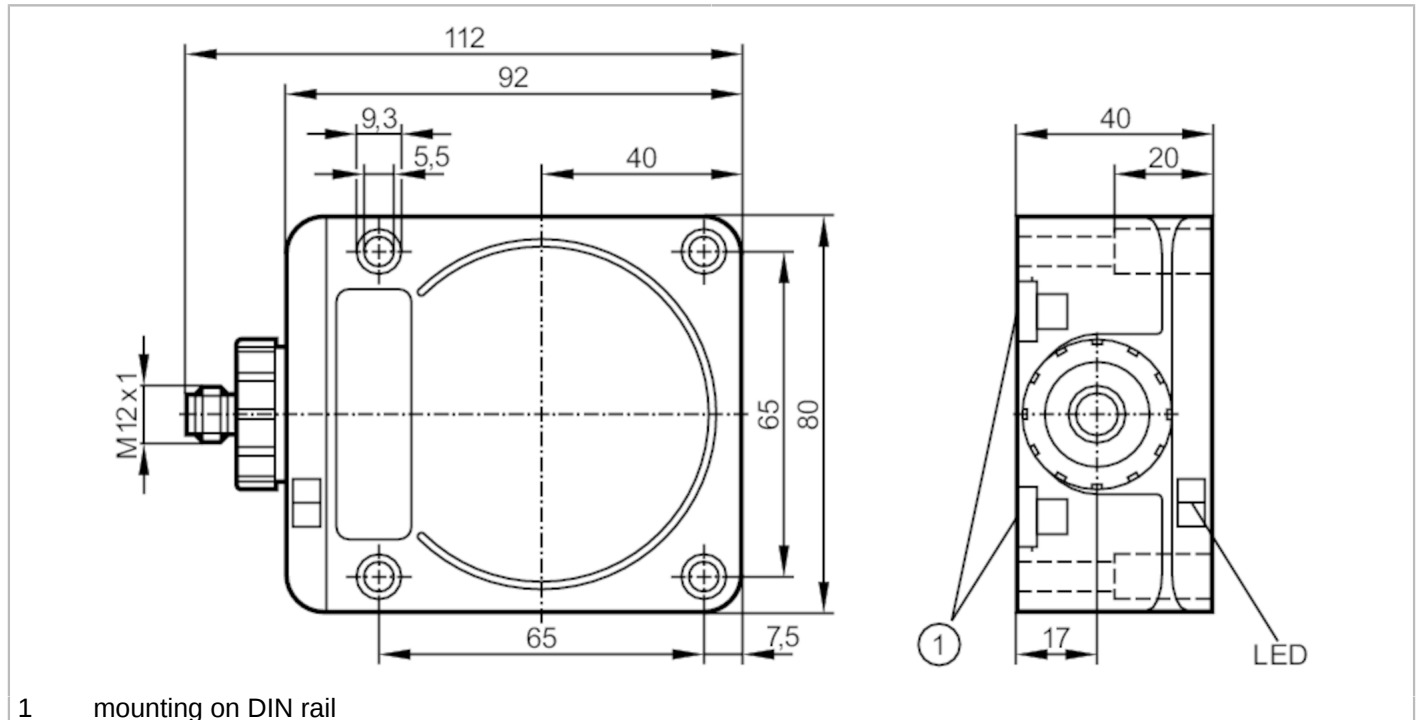


ID5058



Inductive sensor

IDC4050BCPKG/2LED/US-100-DPA



Product characteristics		
Electrical design		PNP
Output function		complementary
Sensing range	[mm]	50
Housing		rectangular
Dimensions	[mm]	92 x 80 x 40
Electrical data		
Operating voltage	[V]	10...36 DC
Current consumption	[mA]	20; (24 V)
Protection class		II
Reverse polarity protection		yes
Outputs		
Electrical design		PNP
Output function		complementary
Max. voltage drop switching output DC	[V]	2.5
Permanent current rating of switching output DC	[mA]	250
Switching frequency DC	[Hz]	70
Short-circuit protection		yes
Type of short-circuit protection		pulsed
Overload protection		yes

ID5058



Inductive sensor

IDC4050BCPKG/2LED/US-100-DPA

Detection zone		
Sensing range	[mm]	50
Operating distance	[mm]	0...40.5; (mounted flush with mild steel (ST37))
Accuracy / deviations		
Correction factor		steel: 1 / stainless steel: 0.85 / brass: 0.48 / aluminium: 0.46 / copper: 0.38
Hysteresis	[% of Sr]	3...20
Switch point drift	[% of Sr]	-15...15
Operating conditions		
Ambient temperature	[°C]	-25...70
Protection		IP 67
Tests / approvals		
EMC		EN 60947-5-2
MTTF	[years]	1162
Mechanical data		
Weight	[g]	423
Housing		rectangular
Mounting		flush mountable
Type of mounting		rail; (TH35 (EN 60715))
Dimensions	[mm]	92 x 80 x 40
Materials		PPE; brass white bronze coated; diecast zinc
Displays / operating elements		
Display	switching status	1 x LED, yellow
	operation	1 x LED, green
Accessories		
Accessories (supplied)		sealing plug: 1
Remarks		
Pack quantity		1 pcs.
Electrical connection - plug		

Connector: 1 x M12



ID5058



Inductive sensor

IDC4050BCPKG/2LED/US-100-DPA

Connection

