

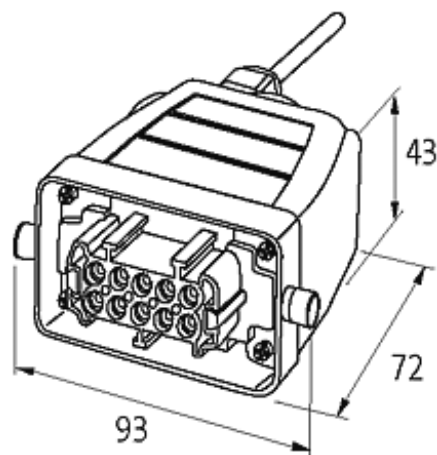
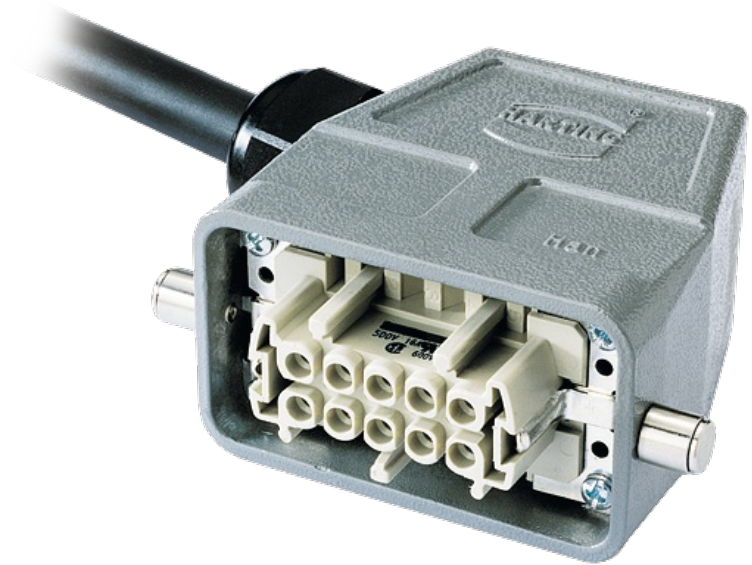
## PLUGABLE MOTOR SUPPRESSOR

Varistor, 3x575VAC/5,5kW

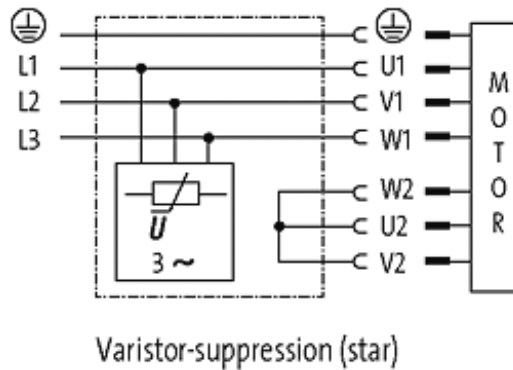
3 × 575 V AC  
VDR/star  
10.0 m

### [Link to Product](#)

#### Illustration



(without compression gland)



Product may differ from Image

### Technical Data

Operating frequency	10...400 Hz
Plug connector	Females, 10-pole + PE
Housing	Aluminum die-cast (powder-coated)
Cable length	10.0 m

### General data

Connection	PUR cable black, 4 × 1.5 mm <sup>2</sup> , numbered wires, DESINA conform
Temperature range	-20...+60 °C
Dimensions H × W × D	43×93×72 mm

### Commercial data

country of origin	CZ
customs tariff number	85363010
minimum order quantity	1