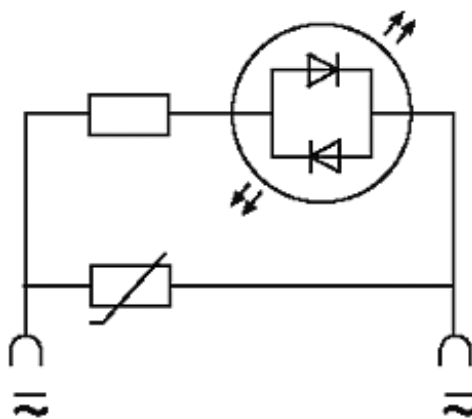


VALVE PLUG SUPPRESSOR FORM A - 18MM

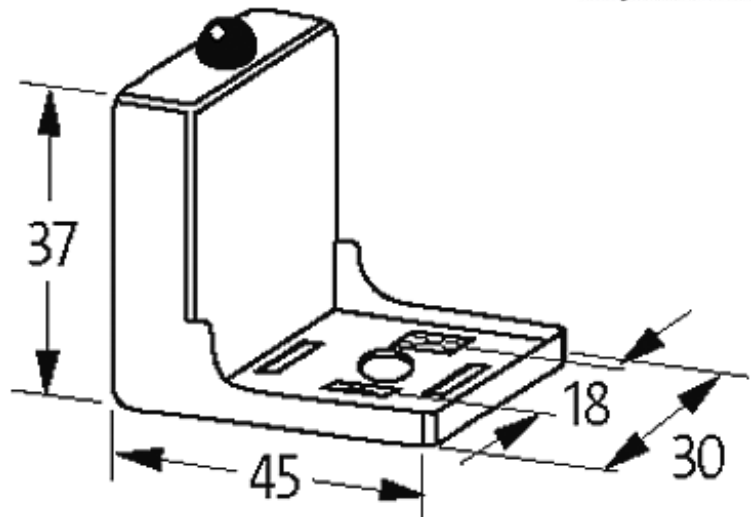
Varistor and LED, 230VAC/DC/100VA/W

230 V AC/DC
VDR + LED

Remove plug gasket when fitting adapter. Other LED colors on request.

[Link to Product](#)**Illustration**

LED + VDR



Product may differ from Image

Technical Data

LED display	(yellow opac)
Contact material	Silvered bronze
Material	Polyamide black, flame retardant, temperature resistance up to 130 °C
Switch off peak	max. 360 V
Switch off delay time	min. 15 ms
Max. power (W)	max. 100 W(VA)

General data

Temperature range	-20...+60 °C
Dimensions H × W × D	37×45×30 mm

Commercial data

country of origin	CZ
customs tariff number	85363010
minimum order quantity	1