

7/8" male 90° / 7/8" female 90°

PUR 5x1.5 gy UL/CSA+drag chain 7m

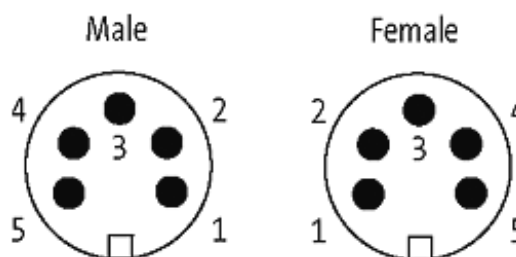
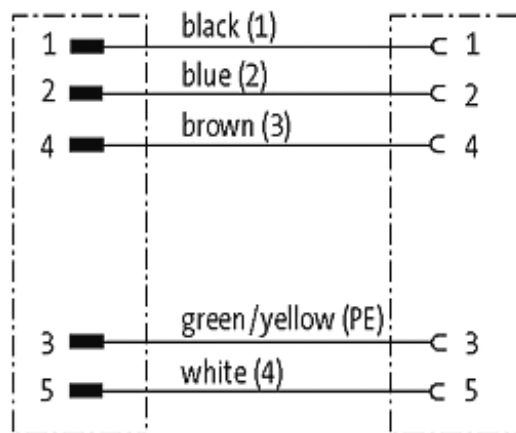
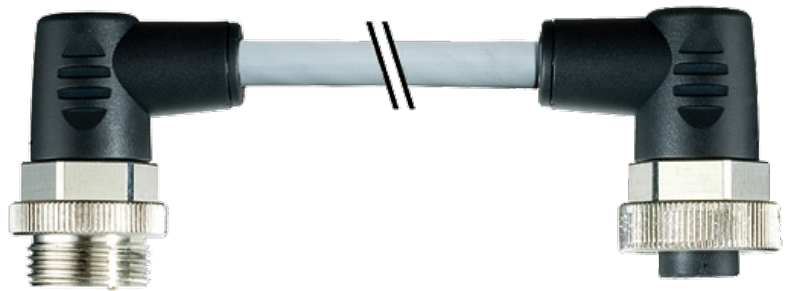
Male 90° to female 90°

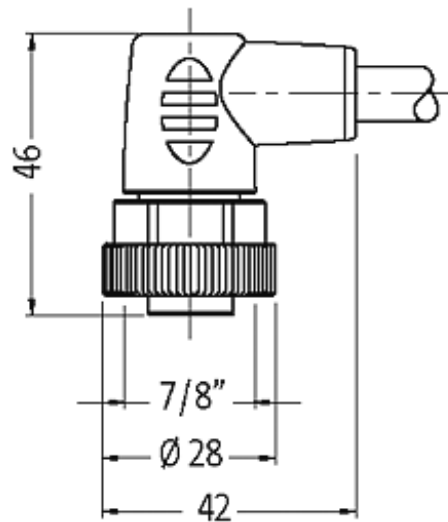
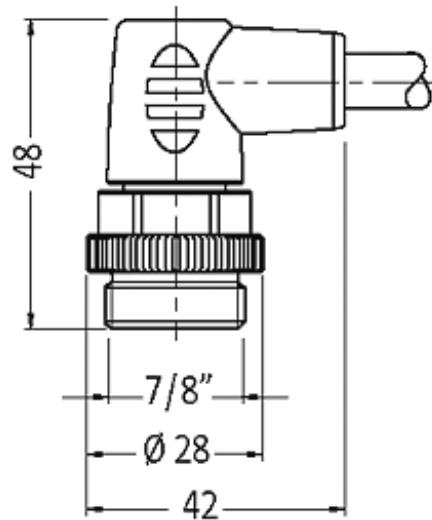
7/8" - 7/8"

Power cable

5-pole

Further cable lengths on request. Plastic housings with good resistance against chemicals and oils. The resistance to aggressive media should be individually tested for your application. Further details on request.

[Link to Product](#)**Illustration**



Product may differ from Image

Approvals



Form

50051

Technical Data

| | |
|-------------------------------|---|
| Operating voltage | max. 230/400 V AC/DC |
| Operating current per contact | max. 12 A |
| Locking of ports | Screw thread 7/8" (recommended torque 1.5 Nm) self-securing |
| Protection | IP67 inserted and tightened (EN 60529) |

Cables

| | |
|-----------------------|-------------------------|
| Cable number | 961 |
| No./diameter of wires | 5 × 1.5 mm ² |

The information in this brochure has been compiled with the utmost care.

Liability for the correctness completeness and topicality of the information is restricted to gross negligence. Version: 05/15

| | |
|-----------------------------|----------------------------------|
| Wire isolation | PP (br, wh, bl, bk, gnye, num) |
| C-track properties | 5 Mio. |
| Torsion | 2 Mio. \pm 180 °/m |
| Jacket Color | gray |
| Shore hardness outer jacket | 90 \pm 5A |
| Material (jacket) | PUR (UL/CSA) |
| Outer diameter | approx. 8.7 mm |
| Bend radius (fixed) | 7.5 \times outer \varnothing |
| Bend radius (moving) | 10 \times outer \varnothing |
| Temperature range (fixed) | -50...+80 °C |
| Temperature range (mobile) | -20...+80 °C |

Commercial data

| | |
|------------------------|----------|
| country of origin | CZ |
| customs tariff number | 85444290 |
| minimum order quantity | 1 |