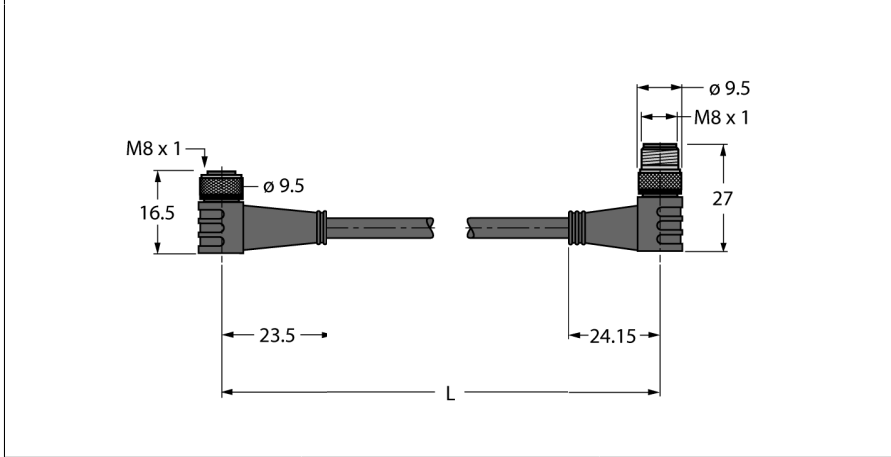


**High-Temperature Resistant Actuator and Sensor Cable Extension Cable**  
**HT-SWKP4-1-HT-SWSP4/S2430**



- M8 female connector, angled, 4-pin
- M8 male connector, angled, 4-pin
- Sheath material: PTFE
- Sheath color: white
- Flame-retardant
- Resistant to welding sparks
- Resistant to chemicals, UV radiation and oils
- Resistant to acids and alkaline solutions
- LABS free
- Resistant to microbes and hydrolysis
- Cold and heat-flexible
- RoHS-compliant
- Protection class IP65
- Temperature range of the cable: -190°C...260°C
- Cable length: 1.0 m

**Type designation** HT-SWKP4-1-HT-SWSP4/S2430  
**Ident no.** 8051992

**Connector A side**  
 Number of pins Female connector, M8 (↙ 1, Angled) 4  
 Contacts Brass, CuZn, Gold-plated  
 Contact carriers Plastic, PBT GF, Black  
 Grip Plastic, PBT GF, Black  
 Coupling nut/screw Brass, CuZn, Nickel-plated  
 Seal Plastic, FPM/FKM  
 Protection class IP65, A + B side screwed together  
 Mechanical lifespan > 100 Mating cycles  
 Pollution degree 3  
 Tightening torque 0.5 ... 0.6 Nm  
 (observe max. torque of counter piece!)

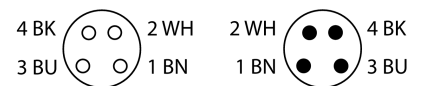
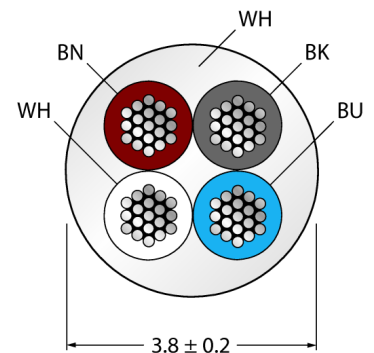
**Connector B side**  
 Number of pins Connector, M8x1, Angled 4 pins  
 Contacts brass, CuZn, Gold-plated  
 Contact carriers Plastic, PBT GF, Black  
 Grip plastic, PBT GF, black  
 Coupling nut/screw Brass, CuZn, Nickel-plated  
 Protection class IP65, Only when screwed tight  
 Mechanical lifespan > 100 Mating cycles  
 Pollution degree 3  
 Tightening torque 0.5 ... 0.6 Nm  
 (observe max. torque of counter piece!)

**General data**  
 Cable diameter 3.8 ± 0.20mm  
 Cable length 1 m  
 Cable quality PTFE  
 Cable color White  
 Core insulation PTFE  
 Core colors BN, WH, BU, BK  
 Core cross-section 4x0.34mm<sup>2</sup>  
 Arrangement of strands 7x0.254 mm

**Electrical features at +20 °C**  
 Current 4 A  
 Rated voltage 250 V  
 Forward resistance ≤ 5 mΩ

**Mechanical and chemical properties**  
 Bending radius (stationary laying) > 5 x Ø  
 Bending radius (flexible use) > 10 x Ø  
 Ambient temperature Stationary -20...+150°C

**Cable Cross-section**



**Circuit Diagram**

