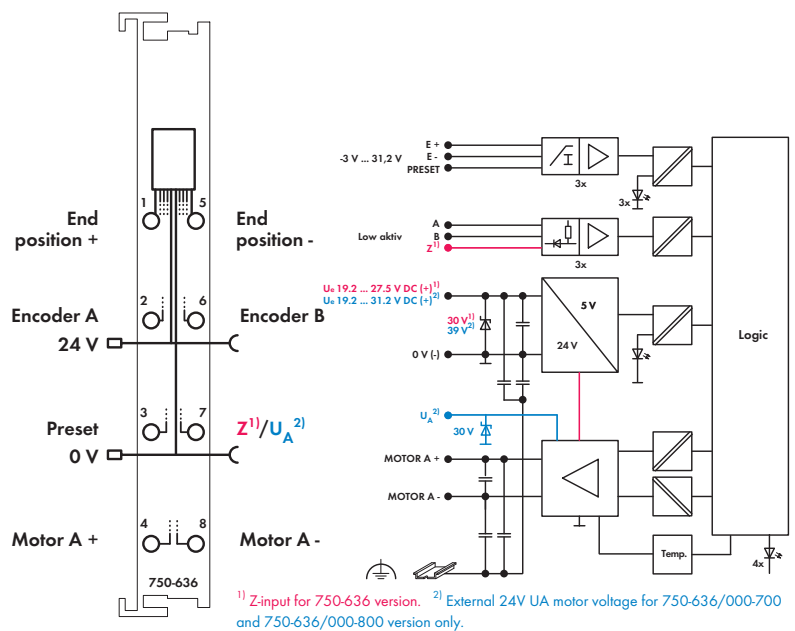


Delivered without miniature WSB markers



This module is a 1-channel intelligent positioning controller for 24V DC motors up to 5A with incremental position feedback. Three 24V inputs record the limit switches and a preset signal. An incremental encoder interface evaluates the signals from the position transmitter and determines actual value. If required, the positioning optimizes the pre-stop position depending on direction and takes backlash compensation into account. Bi-directional control of the DC motor is done via short-circuit proof and temperature-monitored H-bridge. Both switched operation and soft-start/stop or current reduction are possible through PWM control.

The field-side 24V supply voltage (20-28VDC) from the power contacts, which is monitored for undervoltage/overvoltage events, is looped through to adjacent modules.

| Description   | Item No.   | Pack. Unit |
|---|--|------------|
| DC Drive Controller 24V/5A  | 750-636  | 1          |
| DC Drive Controller 24V/5A/T  | 750-636/025-000  | 1          |
| Extended temperature range: -20 °C ... +60 °C                         |  |            |
| DC Drive Controller 24 V / 5 A / V <sub>A</sub> *                     | 750-636/000-700  | 1          |
| * V <sub>A</sub> external motor voltage                               |  |            |
| DC-Drive Controller 24V/5A/R*   | 750-636/000-800  | 1          |
| * /R: Interference-free for safety function applications (see manual) |  |            |
|   |  |            |
| Accessories   | Item No.   | Pack. Unit |
| <b>Miniature WSB Quick marking system</b>                             |  |            |
| plain   | 248-501  | 5          |
| with marking  | see Section 11   |            |
| Approvals   |  |            |
| Conformity marking  | CE   |            |
| Korea Certification   | K (750-636)  |            |
| Technical Data  |  |            |
| Wire connection   | CAGE CLAMP®  |            |
| Cross sections  | 0.08 mm <sup>2</sup> ... 2.5 mm <sup>2</sup> / AWG 28 ... 14 |            |
| Strip lengths   | 8 ... 9 mm / 0.33 in   |            |
| Width   | 12 mm  |            |
| Weight  | 55.5 g   |            |
| EMC immunity of interference  | acc. to EN 61000-6-2   |            |
| EMC emission of interference  | acc. to EN 61000-6-3   |            |

| Technical Data                        |   |
|---------------------------------------|---|
| <b>Outputs</b>                        |   |
| No. of outputs                        | 1 channel   |
| Motor current                         | 5 A rated current at 33% ED,<br>15 A / 500 ms                               |
| Motor connection                      | A+, A-, H-bridge output;<br>short-circuit protected                         |
| PWM frequency (typ.)                  | 20 kHz  |
| <b>Inputs:</b>                        |   |
| Digital inputs (E+, E-, Preset)       | Type 1 acc. to IEC61131;<br>high-side switching                             |
| Input current (typ.)                  | 2.7 mA at 24 V  |
| Encoder connection                    | A, B, Zero low-side switching;<br>5 V ... 24 V DC / open collector          |
| Signal voltage (0)                    | -3 V ... +1.5 V DC  |
| Signal voltage (1)                    | 2.4 V ... 30 V DC   |
| Input current (typ.)                  | -3.2 mA at +0.3 V; 0 mA at >+5 V  |
| Max. operating frequency              | 50 kHz  |
| Quadrature decoder                    | 1-fold, 2-fold, 4-fold report   |
| <b>Module</b>                         |   |
| Current consumption typ. (KBUS)       | 55 mA   |
| Current consumption typ. (field side) |   |
| 750-636:                              | 12 mA + load  |
| 750-636/000-700:                      | 10 mA (fieldside) and 2 mA + load (motor)                                   |
| 750-636/000-800:                      | 10 mA (fieldside) and 2 mA + load (motor)                                   |
| Supply voltage                        |   |
| 750-636:                              | 19.2 V ... 27.5 V DC  |
| 750-636/000-700:                      | 19.2 ... 27.5 VDC (V <sub>A</sub> );<br>19.2 ... 31.2 VDC (field side)      |
| 750-636/000-800:                      | 19.2 V ... 27.5 V DC (V <sub>A</sub> );<br>19.2 V ... 31.2 V DC (fieldside) |
| Isolation                             | 500 V system/supply   |
| Data width process image              | 32 bits set/actual value;<br>16 bits control or status                      |