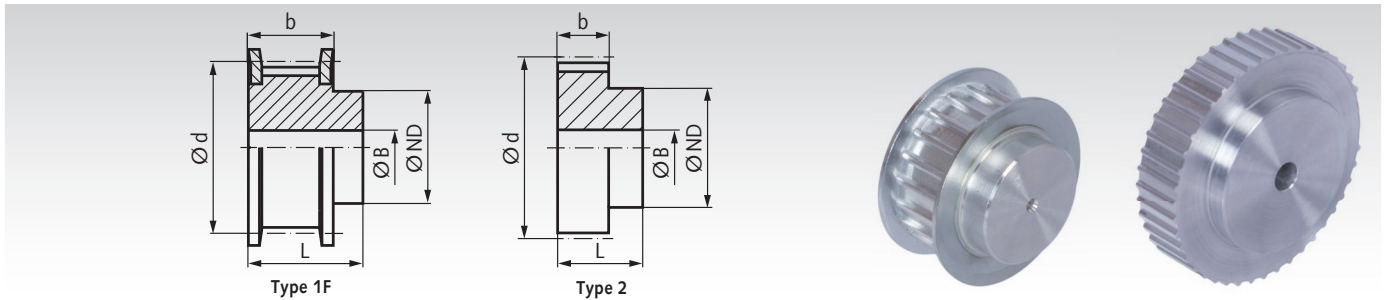


## AT Pulleys, Pitch 10 mm Made from Aluminium



Material: Aluminium similar to EN AW2017A. Flanges zinc-plated steel.

Ordering Details: e.g.: Product No. 16841500, Pulley, Pitch AT 10, 15 Teeth, Timing Belt Width 32 mm

### Profile AT 10, Timing Belt Width 32 mm

Product No. Belt Width 32 mm	Designation	Number of teeth	Type	Outside Ø			ND mm	b mm	L mm	Pilot Hole B mm	Weight g
				Pulley mm	Flange mm	d mm					
168 415 00	47 AT10/15-2	15	1F	45,93	51	47,75	32	37	47	8	185
168 416 00	47 AT10/16-2	16	1F	49,11	54	50,93	35	37	47	8	215
168 417 00	47 AT10/17-2	17	1F	52,29	57	54,11	40	37	47	8	236
168 418 00	47 AT10/18-2	18	1F	55,48	60	57,30	40	37	47	10	250
168 419 00	47 AT10/19-2	19	1F	58,66	66	60,48	44	37	47	10	290
168 420 00	47 AT10/20-2	20	1F	61,84	66	63,66	46	37	47	12	320
168 422 00	47 AT10/22-2	22	1F	68,21	75	70,03	52	37	47	12	390
168 424 00	47 AT10/24-2	24	1F	74,57	83	76,39	58	37	47	12	470
168 425 00	47 AT10/25-2	25	1F	77,76	83	79,58	60	37	47	12	530
168 426 00	47 AT10/26-2	26	1F	80,94	87	82,76	60	37	47	12	560
168 427 00	47 AT10/27-2	27	1F	84,12	91	85,94	60	37	47	12	600
168 428 00	47 AT10/28-2	28	1F	87,31	93	89,13	60	37	47	12	640
168 430 00	47 AT10/30-2	30	1F	93,67	97	95,49	60	37	47	12	740
168 432 00	47 AT10/32-2	32	1F	100,04	106	101,86	65	37	47	12	840
168 436 00	47 AT10/36-2	36	1F	112,77	119	114,59	70	37	47	16	1060
168 440 00	47 AT10/40-2	40	1F	125,50	131	127,32	80	37	47	16	1320
168 444 00	47 AT10/44-0	44	2	138,24	-	140,06	88	37	47	16	1610
168 448 00	47 AT10/48-0	48	2	150,97	-	152,79	95	37	47	16	1930
168 460 00	47 AT10/60-0	60	2	189,17	-	190,99	110	37	47	16	3000
168 472 00	47 AT10/72-0	72	2	227,36	-	229,18	140	37	47	16	4480
168 484 00	47 AT10/84-0	84	2	265,56	-	267,38	160	37	47	18	6100
168 496 00	47 AT10/96-0	96	2	303,76	-	305,58	180	37	47	18	7970

### Profile AT 10, Timing Belt Width 40 mm

Product No. Belt Width 40 mm	Designation	Number of teeth	Type	Outside Ø			ND mm	b mm	L mm	Pilot Hole B mm	Weight g
				Pulley mm	Flange mm	d mm					
168 115 00	55 AT10/15-2	15	1F	45,93	51	47,75	32	45	55	8	228
168 116 00	55 AT10/16-2	16	1F	49,11	54	50,93	35	45	55	8	244
168 117 00	55 AT10/17-2	17	1F	52,29	57	54,11	40	45	55	8	274
168 118 00	55 AT10/18-2	18	1F	55,48	60	57,30	40	45	55	10	276
168 119 00	55 AT10/19-2	19	1F	58,66	66	60,48	44	45	55	10	333
168 120 00	55 AT10/20-2	20	1F	61,84	66	63,66	46	45	55	12	364
168 122 00	55 AT10/22-2	22	1F	68,21	75	70,03	52	45	55	12	443
168 124 00	55 AT10/24-2	24	1F	74,57	83	76,39	58	45	55	12	548
168 125 00	55 AT10/25-2	25	1F	77,76	83	79,58	60	45	55	12	638
168 126 00	55 AT10/26-2	26	1F	80,94	87	82,76	60	45	55	12	643
168 127 00	55 AT10/27-2	27	1F	84,12	91	85,94	60	45	55	12	664
168 128 00	55 AT10/28-2	28	1F	87,31	93	89,13	60	45	55	12	740
168 130 00	55 AT10/30-2	30	1F	93,67	97	95,49	60	45	55	12	840
168 132 00	55 AT10/32-2	32	1F	100,04	106	101,86	65	45	55	12	987
168 136 00	55 AT10/36-2	36	1F	112,77	119	114,59	70	45	55	16	1245
168 140 00	55 AT10/40-2	40	1F	125,50	131	127,32	80	45	55	16	1575
168 144 00	55 AT10/44-0	44	2	138,24	-	140,06	88	45	55	16	1870
168 148 00	55 AT10/48-0	48	2	150,97	-	152,79	95	45	55	16	2345
168 160 00	55 AT10/60-0	60	2	189,17	-	190,99	110	45	55	16	3660
168 172 00	55 AT10/72-0	72	2	227,36	-	229,18	140	45	55	16	5340
168 184 00	55 AT10/84-0	84	2	265,56	-	267,38	160	45	55	18	7265
168 196 00	55 AT10/96-0	96	2	303,76	-	305,58	180	45	55	18	9520