

ebm-papst Mulfingen GmbH & Co. KG

Bachmühle 2

D-74673 Mulfingen

Phone: +49(0)7938/81-0

Fax: +49(0)7938/81-110

info1@de.ebmpapst.com

www.ebmpapst.com

Nominal data

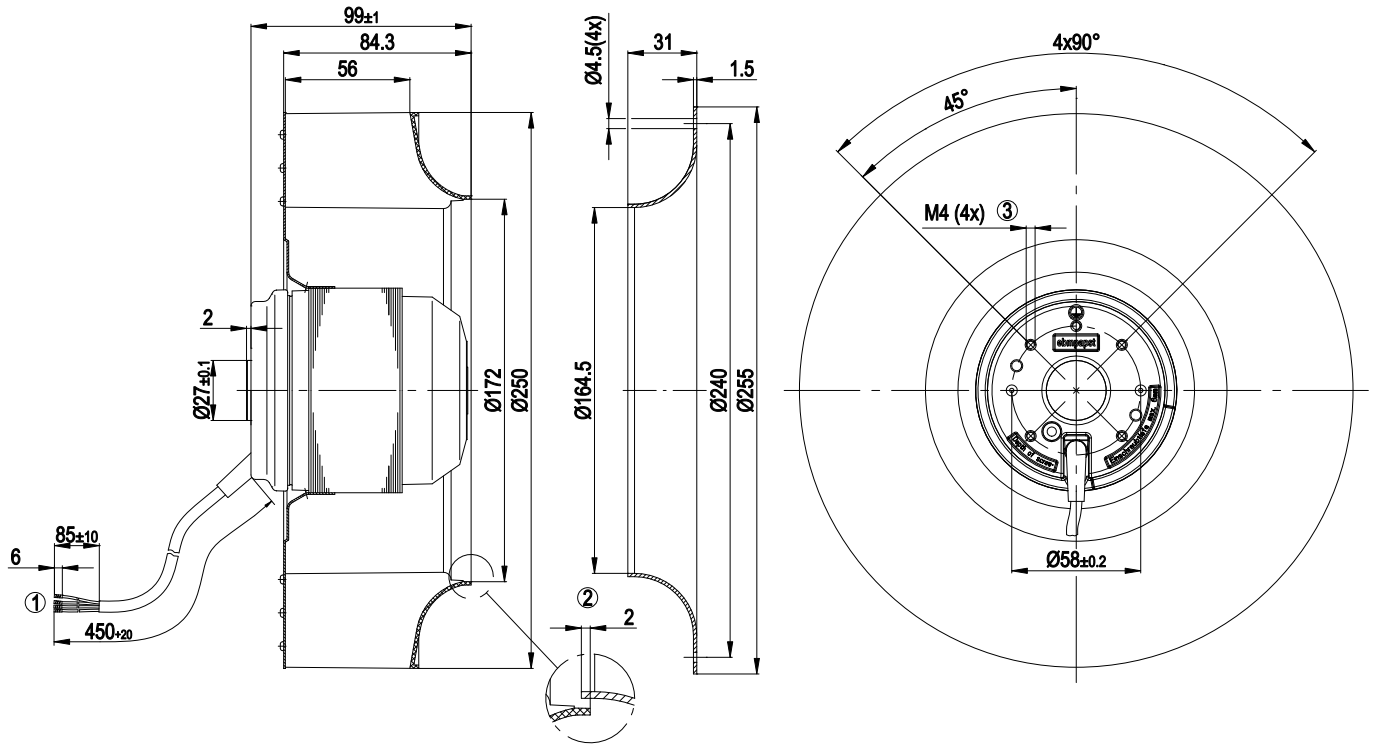
Type	R2E250-AS47-09		
Motor	M2E068-EC		
Phase		1~	1~
Nominal voltage	[V]	230	230
Frequency	[Hz]	50	60
Type of data definition		rfa	rfa
Valid for approval / standard		CE	CE
Speed	[min ⁻¹]	2600	2700
Power input	[W]	155	215
Current draw	[A]	0.70	0.95
Motor capacitor	[μF]	5	5
Capacitor voltage	[VDB]	400	400
Capacitor standard		P2 (CE)	P2 (CE)
Min. back pressure	[Pa]	0	0
Max. ambient temperature	[°C]	50	45

ml = max. load · me = max. efficiency · rfa = running at free air · cs = customer specs · cu = customer unit
 Subject to alterations

Technical features

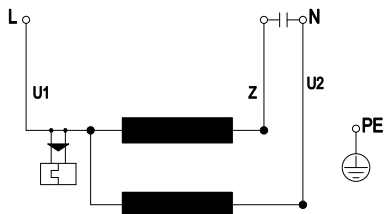
Leakage current	< 0.75 mA
Size	250 mm
Operation mode	S1
Direction of rotation	Clockwise, seen on rotor
Mounting position	Shaft horizontal or rotor on bottom; rotor on top on request
Humidity class	F2-2
Insulation class	"F"
Cable exit	Variable
Condensate discharge holes	Rotor-side
Motor bearing	Ball bearing
Mass	3 kg
Material of impeller	PA plastic, fibreglass-reinforced
Motor protection	Thermal overload protector (TOP) wired internally
Product conforming to standard	CE
Surface of rotor	Coated in black
Type of protection	IP 44; Depending on installation and position as per EN 60034-5
Protection class	I
Max. permissible ambient motor temp. (transp./ storage)	+ 80 °C
Min. permissible ambient motor temp. (transp./storage)	- 40 °C

Product drawing



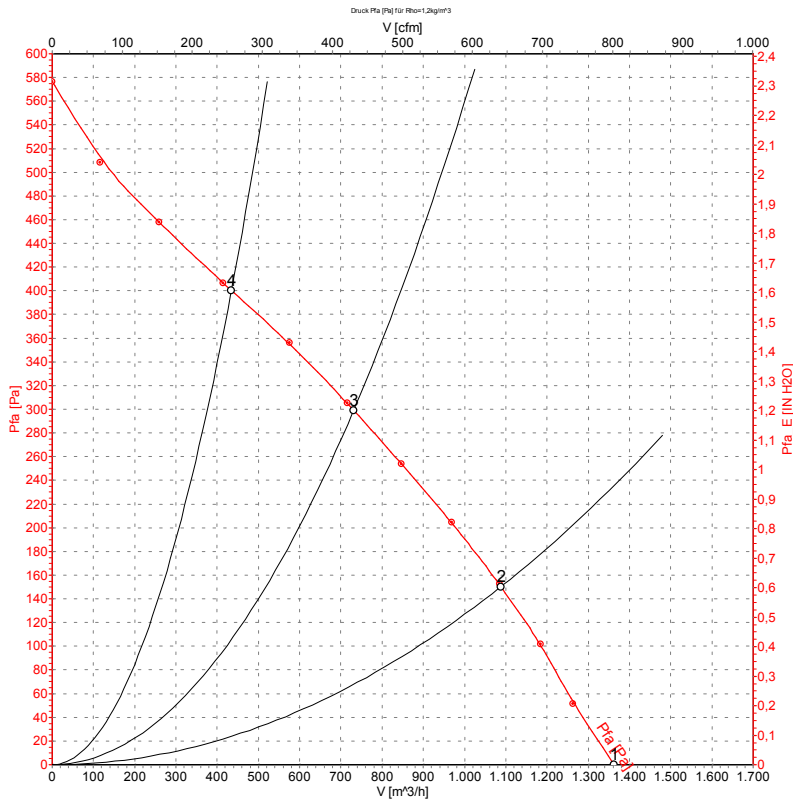
1	Connection line silicone 4Gx0.5mm ² . 4x brass lead tips crimped
2	Accessory part: Inlet nozzle 96359-2-4013, not included in the standard scope of delivery
3	Depth of screw max. 5 mm

Connection screen



U1	blue	Z	brown	U2	black
PE	green/yellow				

Charts: Air flow 50 Hz

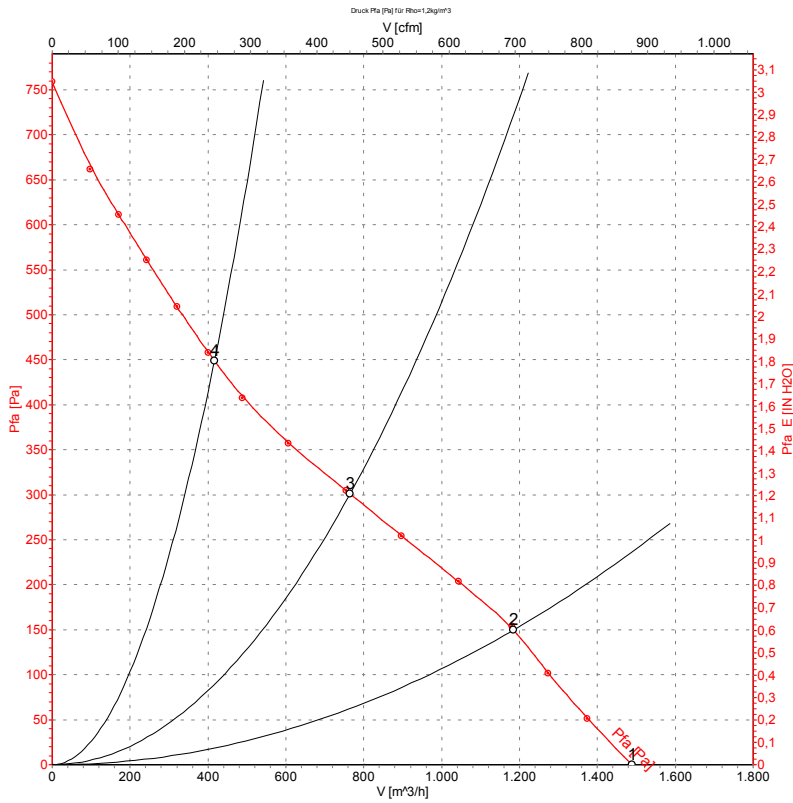


Measurement: LU-30851

Measured values

	U	f	n	P ₁	I	Ŵ	P _{fa}
	[V]	[Hz]	[min ⁻¹]	[W]	[A]	[m³/h]	[Pa]
1	230	50	2600	155	0.70	1365	0
2	230	50	2460	172	0.75	1090	150
3	230	50	2370	189	0.82	730	300
4	230	50	2430	177	0.77	435	400

Charts: Air flow 60 Hz



Measurement: LU-30852

Measured values

	U	f	n	P ₁	I	Ṃ	P _{fa}
	[V]	[Hz]	[min ⁻¹]	[W]	[A]	[m³/h]	[Pa]
1	230	60	2795	215	0.95	1490	0
2	230	60	2610	228	0.99	1185	150
3	230	60	2415	240	1.04	765	300
4	230	60	2560	231	1.00	415	450