

**80** mm sq.

# San Ace 80W



## General Specifications

- Material ..... Frame: Plastics (Flammability: UL94V-0),  
Impeller: Plastics (Flammability: UL94V-1)
- Expected Life ..... Refer to specifications (Indoor, L10:Survival rate: 90% at 60°C ,  
rated voltage, and continuously run in a free air state)
- Lead Wire ..... ⊕red ⊖black (Sensor) yellow
- Storage Temperature ..... -30°C to +70°C (Non-condensing)

**80×80×25**mm (Mass : 130g) **IP 68** **9WP** type

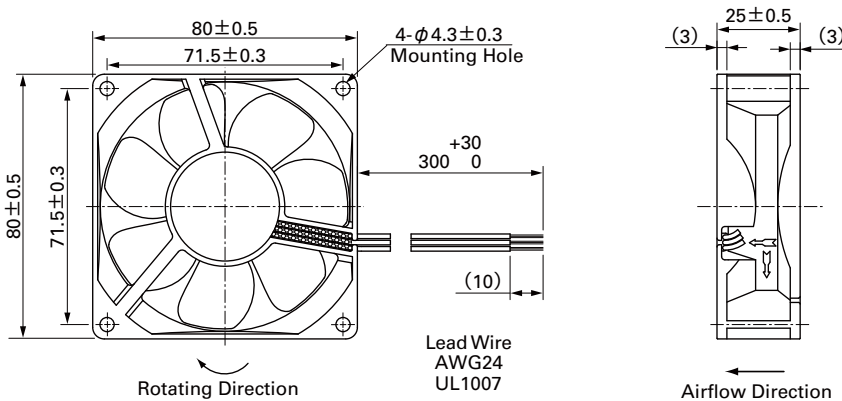
## Specifications

The following nos. **have pulse sensors and ribs**. For ribless, append "1" to the model no.

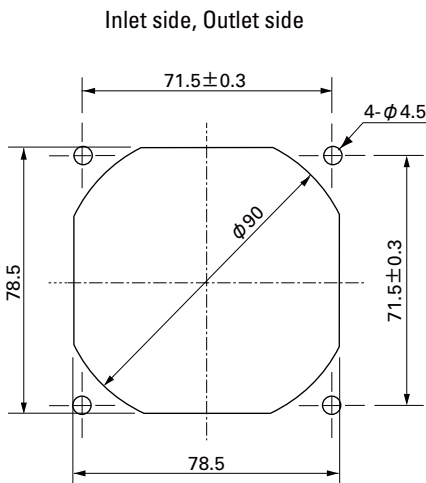
Model No.	Rated Voltage [V]	Operating Voltage Range [V]	Rated Current [A]	Rated Input [W]	Rated Speed [min <sup>-1</sup> ]	Max. Airflow [m <sup>3</sup> /min] [CFM]	Max. Static Pressure [Pa] [inchH <sub>2</sub> O]	SPL [dB(A)]	Operating Temperature [°C]	Expected Life [h]
9WP0812G401	12	10.8 to 13.2	0.38	4.56	4,500	1.50 53	80.4 0.323	40	-20 to +60	40,000/60°C
9WP0812H401		10.2 to 13.8	0.13	1.56	2,900	1.03 36.4	35.3 0.142	29		60,000/60°C
9WP0824S401	24	20.4 to 27.6	0.1	2.4	3,400	1.20 42.4	48.0 0.193	34		40,000/60°C
9WP0824H401			0.07	1.68	2,900	1.03 36.4	35.3 0.142	29		60,000/60°C
9WP0848S401	48	40.8 to 55.2	0.06	2.88	3,400	1.20 42.4	48.0 0.193	34		40,000/60°C

Models without sensors, or with lock sensors, or PWM control function are available as options. Please refer to the index (p. 482).

## Dimensions (unit: mm) (With ribs)



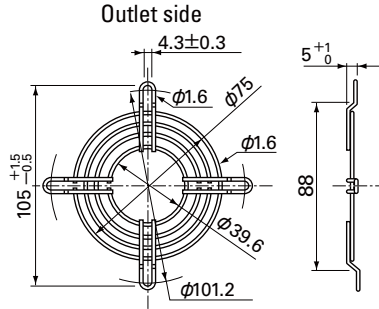
## Reference Dimensions of Mounting Holes and Vent Opening (unit: mm)



**Options (unit: mm)**

**Finger Guards**

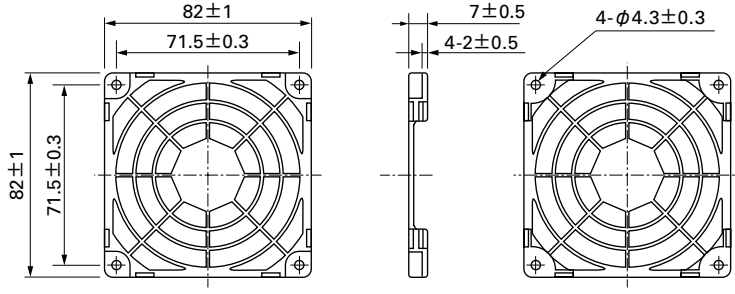
Model : 109-049C Surface treatment : Nickel-chrome plating (silver) Color : Silver



Mass : 17g

**Resin Finger Guards**

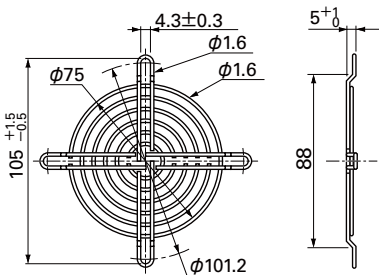
Model : 109-1002G



Mass : 10g

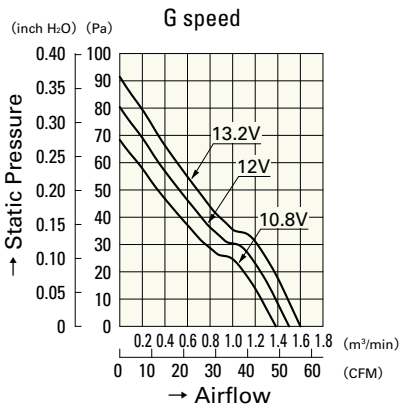
Model : 109-049E Surface treatment : Nickel-chrome plating (silver) Color : Silver  
 : 109-049H : Cation electropainting (black)

**Inlet side, Outlet side**

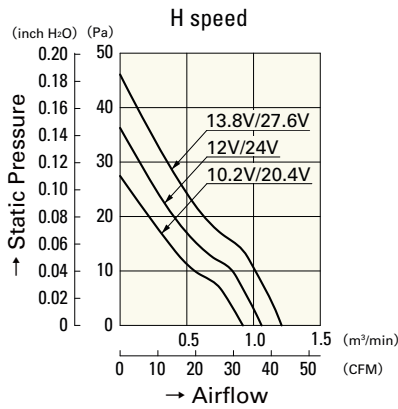


Mass : 21g

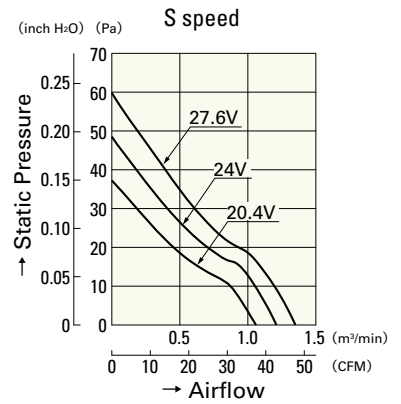
**Airflow - Static Pressure Characteristics**



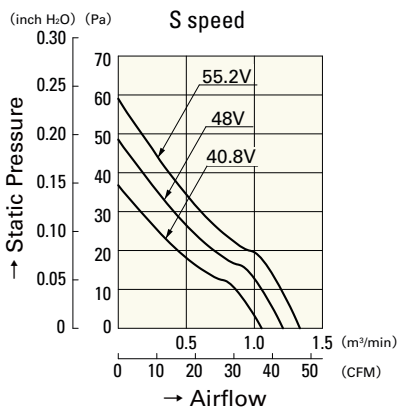
**9WP0812G401**



**9WP0812H401**  
**9WP0824H401**



**9WP0824S401**



**9WP0848S401**