

# Customer Information Sheet

DRAWING No.: S8131-46R

SHEET 2 OF 2

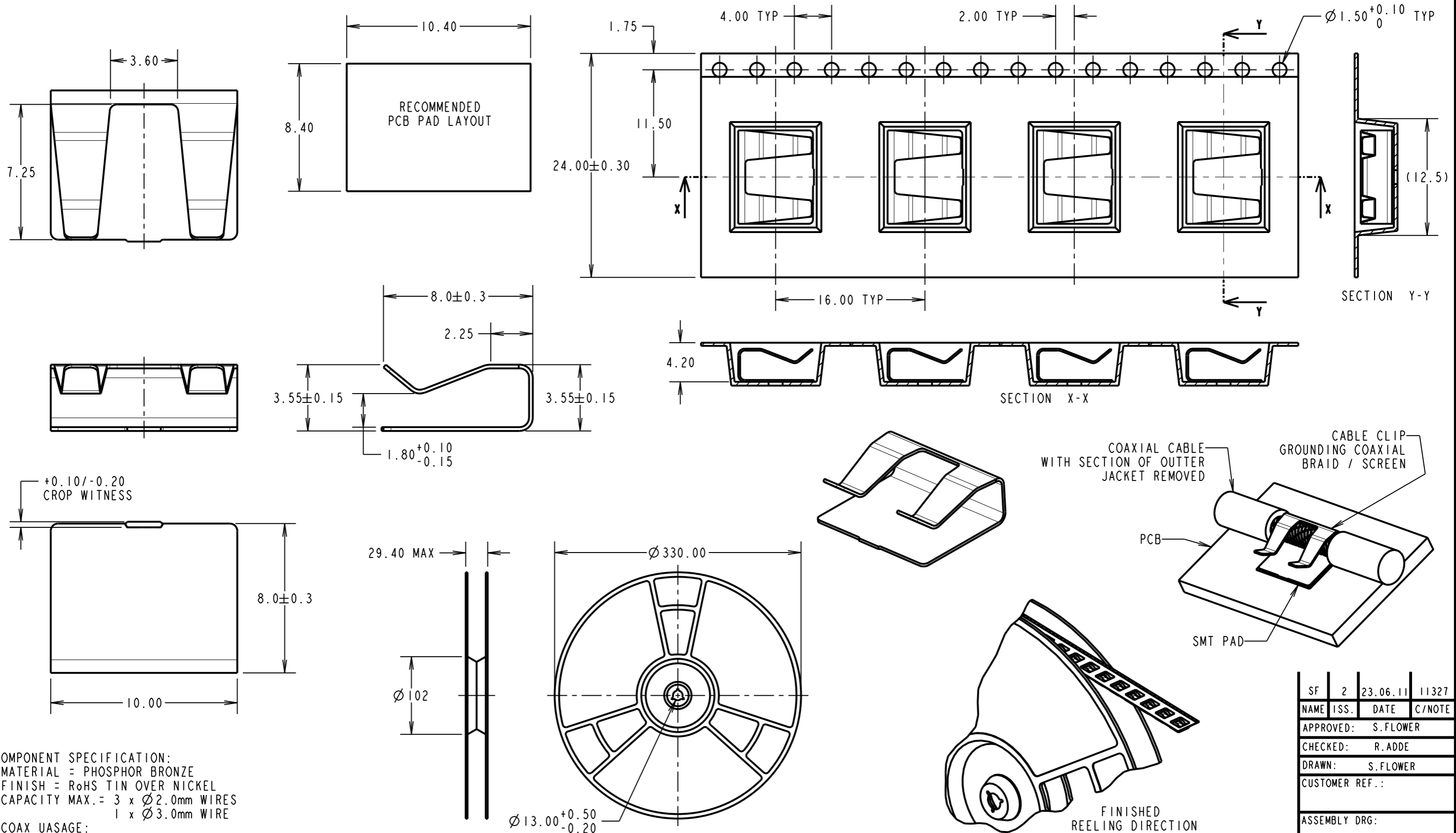
IF IN DOUBT - ASK

©

NOT TO SCALE

THIRD ANGLE PROJECTION

ALL DIMENSIONS IN mm



COMPONENT SPECIFICATION:  
 MATERIAL = PHOSPHOR BRONZE  
 FINISH = RoHS TIN OVER NICKEL  
 CAPACITY MAX. = 3 x Ø2.0mm WIRES  
 1 x Ø3.0mm WIRE

COAX USAGE:  
 SUITABLE FOR USE AS A COAXIAL BRAID/SCREEN  
 GROUNDING CLIP WITH RG58 TYPE CABLE.

NOTES:  
 1. QUANTITY OF COMPONENTS PER REEL = 800.  
 2. THIS PRODUCT IS TAPED AND REELED IN ACCORDANCE  
 WITH EIA-481 (ELECTRONICS INDUSTRIES ASSOCIATION).

**HARWIN**

HARWIN USA TEL: 603 893 5376 FAX: 603 893 5396 mis@harwin.com	HARWIN Europe (UK) TEL: 023 9231 4545 FAX: 023 9231 4590 mis@harwin.co.uk	HARWIN Asia TEL: +65 6 779 4909 FAX: +65 6 779 3868 mis@harwin.com.sg
--	--	--

THIS DRAWING AND ANY INFORMATION OR DESCRIPTIVE MATTER SET OUT HEREON ARE CONFIDENTIAL AND COPYRIGHT PROPERTY OF THE HARWIN GROUP AND MUST NOT BE DISCLOSED, LOANED, COPIED OR USED FOR MANUFACTURING, TENDERING OR FOR ANY OTHER PURPOSE WITHOUT THEIR WRITTEN PERMISSION.

TOLERANCES  
 X. = ±1mm  
 X.X = ±0.25mm  
 X.XX = ±0.10mm  
 X.XXX = ±0.01mm  
 ANGLES = ±5°  
 UNLESS STATED

MATERIAL: SEE ABOVE  
 FINISH:  
 S/AREA: mm<sup>2</sup>

TITLE: SMT CABLE CLIP  
 Ø2.0-3.0mm / RG58 COAX  
 GROUNDING CLIP IN TAPE & REEL

DRAWING NUMBER: **S8131-46R**  
 SHT 2 OF 2

SF	2	23.06.11	11327
NAME	ISS.	DATE	C/NOTE
APPROVED:		S.FLOWER	
CHECKED:		R.ADDE	
DRAWN:		S.FLOWER	
CUSTOMER REF.:			
ASSEMBLY DRG:			