

PLEASE CHECK WWW.MOLEX.COM FOR LATEST PART INFORMATION

Part Number: [0351500204](#)
Status: **Active**
Overview: [VersaBlade Wire-to-Wire Connector System](#)
Description: Wire-to-Wire VersaBlade Hybrid Plug Housing, without Mounting Ears, 2 Circuits, Polyester UL94V-0, Blue

Documents:

[3D Model](#) [Packaging Specification PK-35150-002-001 \(PDF\)](#)
[Drawing \(PDF\)](#) [RoHS Certificate of Compliance \(PDF\)](#)
[Product Specification PS-35150-003-001 \(PDF\)](#)

Agency Certification

CSA LR19980
 UL E29179

General

Product Family Crimp Housings
 Series [35150](#)
 Application Power, Wire-to-Wire
 Comments Polarized to Mating Part, Positive Lock, Polarized to Mating Part, Positive Lock
 Overview [VersaBlade Wire-to-Wire Connector System](#)
 Product Name VersaBlade
 UPC 756054256398

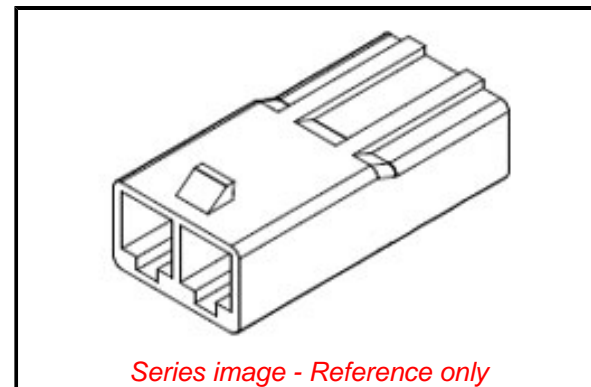
Physical

Circuits (maximum) 2
 Color - Resin Blue
 Flammability 94V-0
 Gender Plug
 Glow-Wire Capable No
 Keying to Mating Part None
 Lock to Mating Part Yes
 Material - Resin Polyester
 Net Weight 1.946/g
 Number of Rows 1
 Packaging Type Bag
 Panel Mount No
 Pitch - Mating Interface 6.20mm
 Pitch - Termination Interface 6.20mm
 Polarized to Mating Part Yes
 Stackable No
 Temperature Range - Operating -40° to +120°C

Material Info

Reference - Drawing Numbers

Packaging Specification PK-35150-002-001
 Product Specification PS-35150-003-001
 Sales Drawing SD-35150-020X



Series image - Reference only

EU ELV

Not Relevant

EU RoHS

Compliant

REACH SVHC

Not Contained Per -ED/88/2018 (15 January 2019)

Halogen-Free

Status

Not Low-Halogen

For more information, please visit [Contact US](#)

China ROHS

ELV

RoHS Phthalates

China RoHS

Green Image

Not Relevant

Not Contained

Search Parts in this Series

[35150](#) Series

Mates With

Receptacle Housing [35151](#)

Use With

VersaBlade Crimp Terminals [35745](#) , TPA [35150](#)