

SAJ4 Series – Snap Action Switches

Applications

- Mapping devices
- Small Audio Equipment
- Office Automation
- Compact instrumentation



TE Connectivity SAJ4 Series of Snap Action Switches offer flexibility through various combinations of lever styles. These switches are designed to convert a mechanical action in an electrical one. This makes them very suitable for applications such as Home Appliances and Factory Automation as well as other domestic and industrial uses.

Features

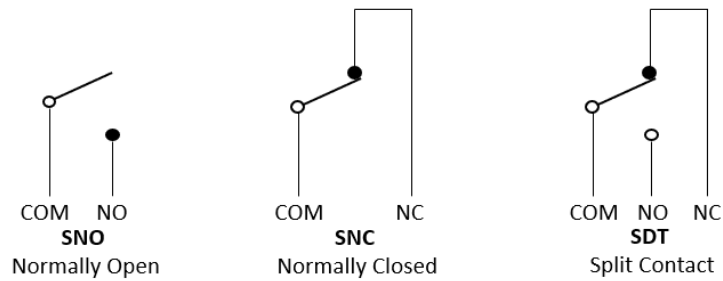
- Compact
- PCB Terminals
- Highly reliable with long operating life.

TE's Snap Action switches are dimensionally identical with other popular brands, making them extremely suitable for use in existing designs. They are available with various contact styles to aid flexibility

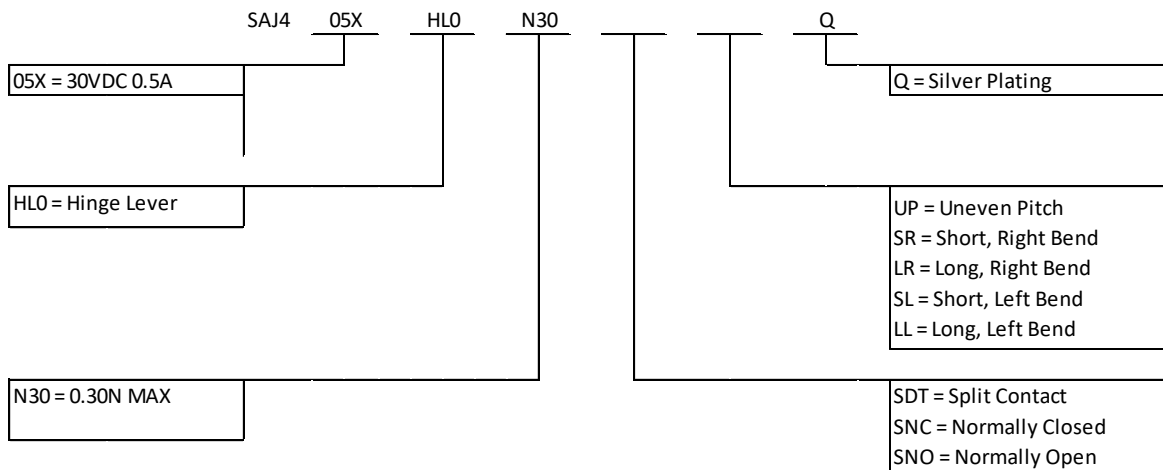
Specifications

Contact Rating	0.5A at 30VDC
Mechanical Durability	100,000 cycles min
Electrical Durability	50,000 cycles min.
Contact Resistance	100mΩ max.
Insulation Resistance	100MΩ min. (at 100 VDC)
Dielectric Strength	<p>Between terminals of the same polarity: 250 VAC (50Hz or 60Hz) shall be applied across terminals for 1 minute.</p> <p>Between each terminal and ground:250 VAC (50Hz or 60Hz) shall be applied across terminals for 1 minute.</p> <p>Between each terminal and non-current-carrying metal parts 1500 VAC (50Hz or 60Hz) shall be applied across terminals for 1 minute</p>
Operating Temperature	-40°C ~ +85°C

Circuit

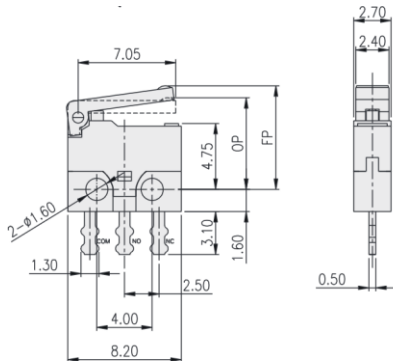


How to Order



Mechanical Measurements

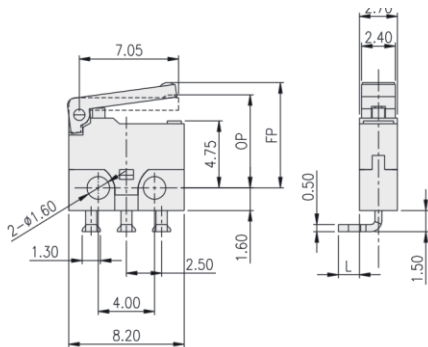
TE Smart Part Number: SAJ405XHL0N30SDTUPQ



OPERATING CHARACTERISTICS

ITEM	SPEC.
OPERATING FORCE(OF)	50gf (0.5N) MAX.
RELEASE FORCE(RF)	3gf (0.03N) MIN.
PRETRAVEL(PT)	1.80mm MAX.
OVERTRAVEL(OT)	0.30mm MIN.
MOVEMENT DIFFERENTIAL(MD)	0.70mm MAX.
OPERATING POSITION(OP)	6.70±0.50mm
FREE POSITION(FP)	8.0mm MAX.

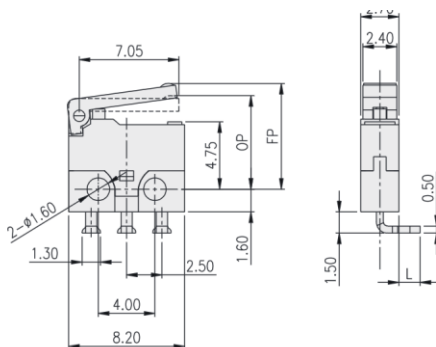
TE Smart Part Number: SAJ405XHL0N30SDTSLQ



OPERATING CHARACTERISTICS

ITEM	SPEC.
OPERATING FORCE(OF)	50gf (0.5N) MAX.
RELEASE FORCE(RF)	3gf (0.03N) MIN.
PRETRAVEL(PT)	1.80mm MAX.
OVERTRAVEL(OT)	0.30mm MIN.
MOVEMENT DIFFERENTIAL(MD)	0.70mm MAX.
OPERATING POSITION(OP)	6.70±0.50mm
FREE POSITION(FP)	8.0mm MAX.

TE Smart Part Number: SAJ405XHL0N30SDTSRQ



OPERATING CHARACTERISTICS

ITEM	SPEC.
OPERATING FORCE(OF)	50gf (0.5N) MAX.
RELEASE FORCE(RF)	3gf (0.03N) MIN.
PRETRAVEL(PT)	1.80mm MAX.
OVERTRAVEL(OT)	0.30mm MIN.
MOVEMENT DIFFERENTIAL(MD)	0.70mm MAX.
OPERATING POSITION(OP)	6.70±0.50mm
FREE POSITION(FP)	8.0mm MAX.