

Toggle Switches Miniature

multicomp PRO

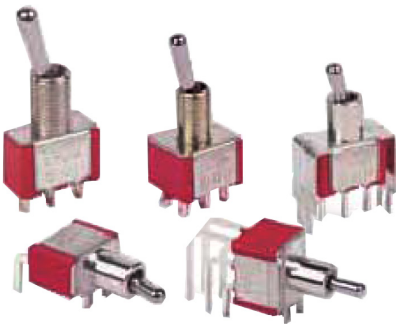
**RoHS
Compliant**

Specifications

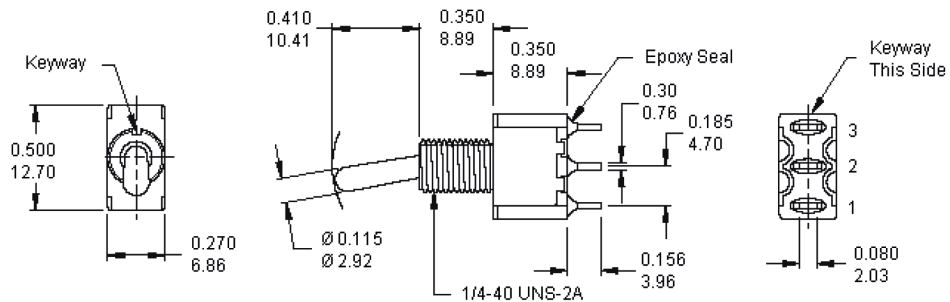
Contact Rating	: Dependent upon contact material
Mechanical Life	: 40,000 make and break cycles
Max. Contact Resistance	: 10mΩ
Initial Voltage	: 2 to 4V DC
Current	: 10mA for both silver and gold plated contacts
Min. Insulation Resistance	: 1,000MΩ
Dielectric Strength	: 1,000Vrms at sea level
Operating Temperature	: -30°C to +85°C

Materials

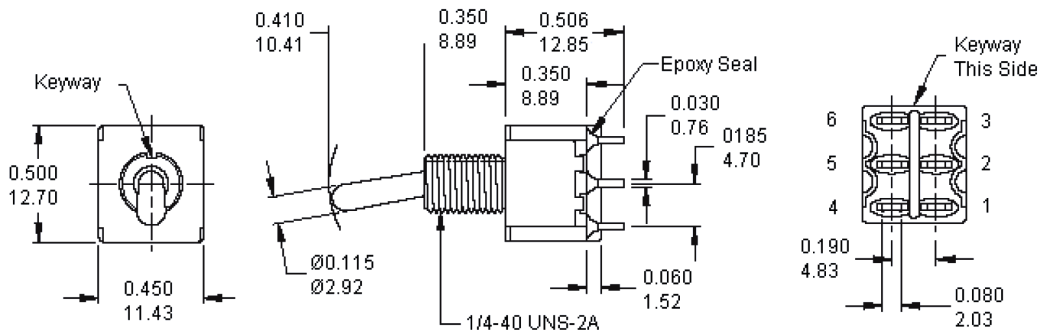
Case	: Diallyl phthalate (DAP) (UL94v-0).
Actuator	: Brass, chrome plated.
Bushing	: Brass, nickel plated.
Housing	: Stainless steel.
Switch Support	: Brass, tin plated.
Terminal/Contact	: Silver or gold plated.



Pole Options SPDT



DPDT



Dimensions : Inches (Millimetres)

Newark.com/multicomp-pro
Farnell.com/multicomp-pro
Element14.com/multicomp-pro

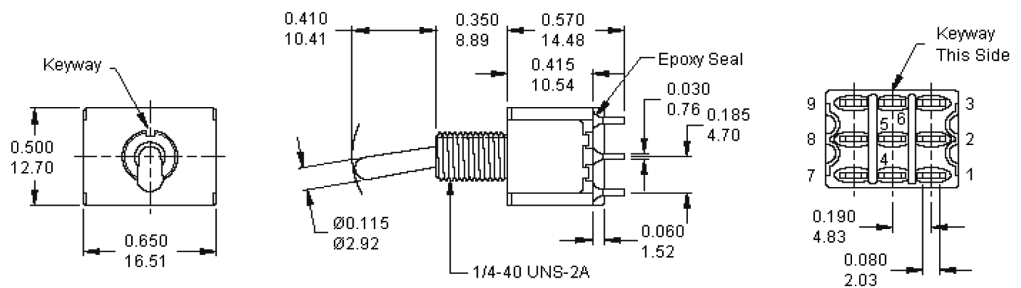
multicomp PRO

Toggle Switches Miniature

multicomp PRO

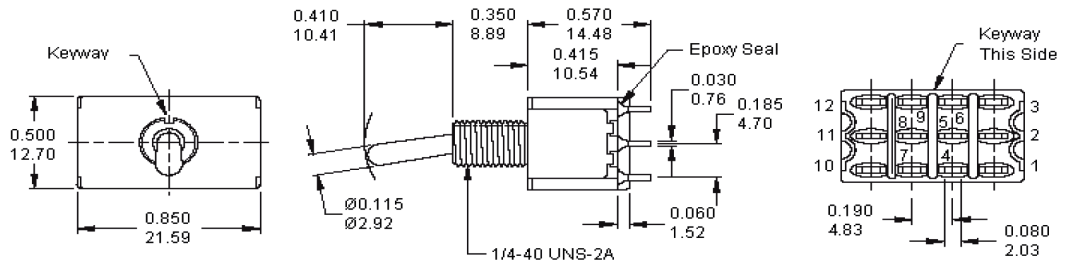
Pole Options

3PDT



Pole Options

4PDT



Dimensions : Inches (Millimetres)

Soldering Process

Manual soldering

: Use soldering iron of 30 watts, controlled at 350°C approximately 5 seconds while applying solder

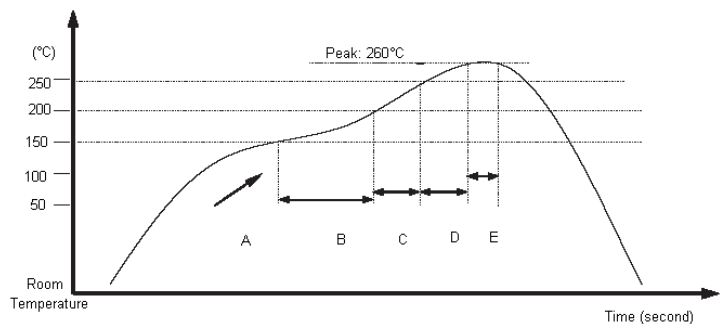
Wave soldering

Recommended soldering temperature : 260 ± 5°C.

Duration of solder immersion

: 5 ± 1 seconds (PCB is 1.6mm in thickness).

Temperature Profile		
Zone	Room Temperature (°C)	Time (seconds)
Pre-heat (A)	150°C	Min. 120
Soak (B)	180°C to 200°C	Min. 150
Peak (C)	200°C to 235°C	Min. 30
Peak (D)	235°C to 260°C	Min. 40
Peak (E)	260°C	Max. 10



Newark.com/multicomp-pro
Farnell.com/multicomp-pro
Element14.com/multicomp-pro

multicomp PRO

Toggle Switches

Miniature

multicomp PRO

Switch Function

Number of Poles	UL/CSA Model Numbers	Model Number	Switch Function			Connected Terminals/Schematic		
			Position 1	Position 2	Position 3	Position 1	Position 2	Position 3
SP	Q1111	1MS1	On	None	ON	2 to 3	N/A	2 to 1
	Q1112	1MS2		None	MOM			
	Q1113	1MS3	MOM	Off	ON	1* 2(COMM) 3	Open	1* 2(COMM) 3
	Q1114	1MS4			MOM			
	Q1115	1MS5			MOM			
DP	Q1121	1MD1	On	None	ON	2 to 3, 5 to 8	N/A	2 to 1, 5 to 4
	Q1122	1MD2		None	MOM			
	Q1123	1MD3	MOM	Off	ON	1* 2(COMM) 3 4* 5 6	Open	1* 2(COMM) 3 4* 5 6
	Q1124	1MD4			MOM			
	Q1125	1MD5			MOM			
	Q1126	1MD6	On	On	On	2 to 3, 5 to 6	2 to 3, 5 to 4	2 to 1, 5 to 4
	Q1127	1MD7	MOM	MOM				
	Q1128	1MD8	On	None	On	2 to 3, 5 to 6, 8 to 9	N/A	2 to 1, 5 to 4, 8 to 7
Q1131	1M31	1* 2 3 4* 5 (COMM) 6 7* 8 9						
3P	Q1131	1M31	On	None	On	2 to 3, 5 to 6, 8 to 9, 11 to 12	N/A	2 to 1, 5 to 4, 8 to 7, 11 to 10
4P	Q1141	1M41						

Part Number Table

Description	Part Number
Switch, PCB, SPDT, VERT	1MS1T2B4V2RE
Switch, PCB, SPDT, VERT	1MS3T2B4V2RE
Switch, PCB, SPDT, VERT	1MS2T2B4V2RE
Switch, PCB, SPDT, VERT	1MS4T2B4V2RE
Switch, PCB, SPDT, VERT	1MS5T2B4V2RE
Switch, PCB, DPDT, VERT	1MD1T2B4V3RE
Switch, PCB, SPDT, HORIZ	1MS1T2B4M6RE
Switch, PCB, SPDT, HORIZ	1MS3T2B4M6RE
Switch, PCB, SPDT, HORIZ	1MS4T2B4M6RE
Switch, PCB, DPDT, HORIZ	1MD1T2B4M6RE
Switch, PCB, DPDT, HORIZ	1MD3T2B4M6RE
Switch, PCB, SPDT, HORIZ	1MS1T2B4M7RE
Switch, PCB, SPDT, HORIZ	1MS3T2B4M7RE

Description	Part Number
Switch, PCB, DPDT, HORIZ	1MD1T2B4M7RE
Switch, SPDT	1MS1T1B5M1QE
Switch, SPDT	1MS3T1B5M1QE
Switch, DPDT	1MD1T1B5M1QE
Switch, DPDT	1MD3T1B5M1QE
Switch, SPDT	1MS1T1B1M1QE
Switch, SPDT	1MS1T1B1M1RE
Switch, SPDT	1MS3T1B1M1QE
Switch, SPDT	1MS3T1B1M1RE
Switch, SPDT	1MS4T1B1M1QE
Switch, SPDT	1MS4T1B1M1RE
Switch, SPDT	1MS5T1B1M1QE
Switch, SPDT	1MS5T1B1M1RE

Newark.com/multicomp-pro
 Farnell.com/multicomp-pro
 Element14.com/multicomp-pro

multicomp PRO

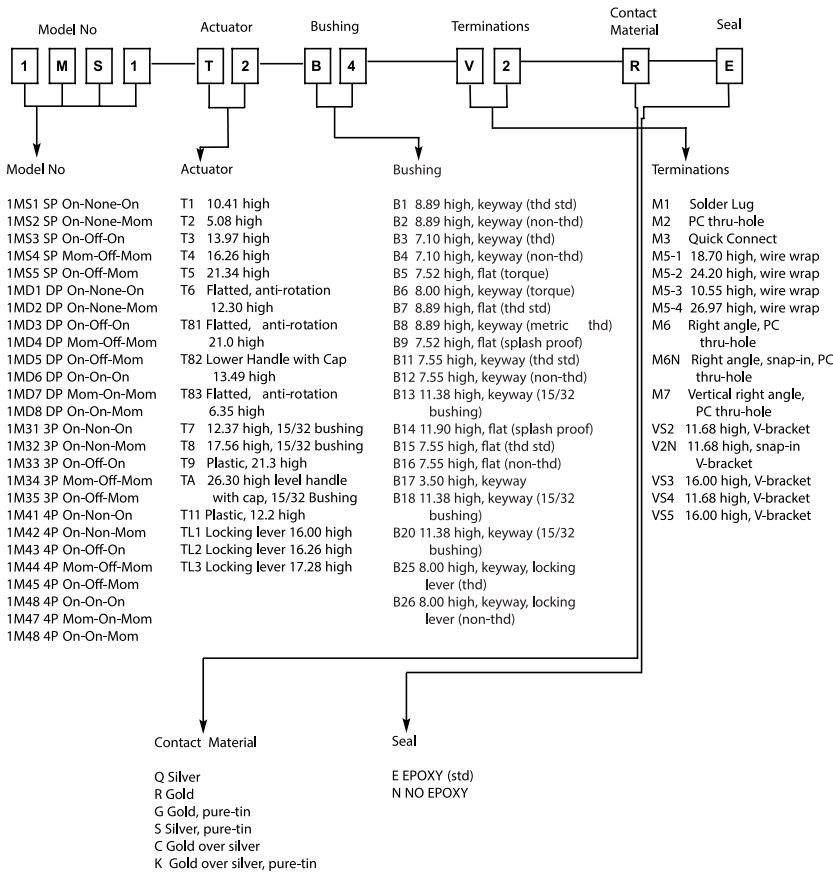
Toggle Switches Miniature

multicomp PRO

Description	Part Number
Switch, SPDT	1MS2T1B1M1QE
Switch, SPDT	1MS2T1B1M1RE
Switch, DPDT	1MD1T1B1M1QE
Switch, DPDT	1MD1T1B1M1RE
Switch, DPDT	1MD3T1B1M1QE
Switch, DPDT	1MD3T1B1M1RE
Switch, DPDT	1MD4T1B1M1QE
Switch, DPDT	1MD4T1B1M1RE
Switch, DPDT	1MD5T1B1M1QE
Switch, DPDT	1MD5T1B1M1RE
Switch, 3PDT	1M31T1B1M1QE

Description	Part Number
Switch, 4PDT	1M41T1B1M1QE
Switch, SPDT	1MS1T6B11M1QE
Switch, SPDT	1MS3T6B11M1QE
Switch, SPDT	1MS4T6B11M1QE
Switch, SPDT	1MS5T6B11M1QE
Switch, SPDT	1MS2T6B11M1QE
Switch, DPDT	1MD1T6B11M1QE
Switch, DPDT	1MD3T6B11M1QE
Switch, 3PDT	1M31T6B11M1QE
Switch, 4PDT	1M41T6B11M1QE

Part Number Explanation



Important Notice : This data sheet and its contents (the "Information") belong to the members of the AVNET group of companies (the "Group") or are licensed to it. No licence is granted for the use of it other than for information purposes in connection with the products to which it relates. No licence of any intellectual property rights is granted. The Information is subject to change without notice and replaces all data sheets previously supplied. The Information supplied is believed to be accurate but the Group assumes no responsibility for its accuracy or completeness, any error in or omission from it or for any use made of it. Users of this data sheet should check for themselves the Information and the suitability of the products for their purpose and not make any assumptions based on information included or omitted. Liability for loss or damage resulting from any reliance on the Information or use of it (including liability resulting from negligence or where the Group was aware of the possibility of such loss or damage arising) is excluded. This will not operate to limit or restrict the Group's liability for death or personal injury resulting from its negligence. Multicomp Pro is the registered trademark of Premier Farnell Limited 2019.

Newark.com/multicomp-pro
 Farnell.com/multicomp-pro
 Element14.com/multicomp-pro

multicomp PRO