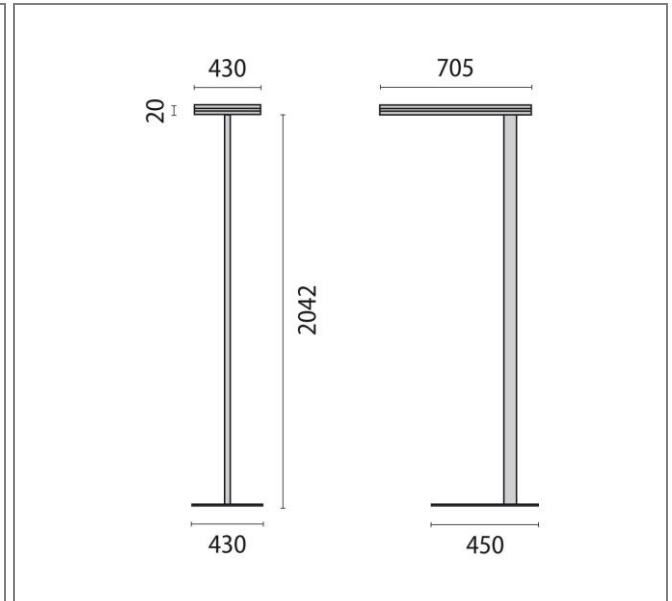


ART.: 3101690

SL720SL L D+ LED MICROPRISMA



Art.: 3101690, SL720SL L D+, Micro-prisma, 105W, 2700K - 6200K (HCL), Driver dali, 705mm, Symmetrical - Direct / indirect, White, LED free-standing luminaire for interior, including: Steel sheet head, extruded aluminium profile post, steel sheet base, powder painted / Angle of the lamp head adjustable using a set screw / Practical U-shaped base enables luminaire to be positioned flexibly and flush to a writing desk / Micro-prismatic diffuser for efficient light diffusion, glare reduction and a high uniformity / Direct / indirect light distribution / Colour rendering index Ra > 80 / Colour tolerance according to MacAdam ≤ 3 SDCM / Direct share of light dimmable; colour temperature 4000K / Direct and indirect portions simultaneously dimmable (versions in 4000 K with sensor) / Complete with flexible power cord with plug / VDU application suitable acc. to EN 12464-1 / Sensor device available with task oriented PIR detector and daylight control / Light colour and brightness of indirect light share manually adjustable via Tunable White control / Light colour and brightness of indirect light share automatically adjustable via HCL (Human Centric Lighting) for wholesome and performance-enhancing management of the biorhythm / 3000 K colour temperature version on demand / The XL version is suitable for simultaneous illumination of two workplaces / D+ version: The direct light section is increased, dimmable, with colour temperature 4000K / The TWIN version is suitable for simultaneous illumination of two workplaces / TWIN version: switchable/dimmable direct and indirect light section / TWIN version: individual lighting control system for individual luminaires available on request / Special colour versions available upon request / For the innovative lighting technology of these lights patent is applied for (No. 10201511701.2)

Connected load	105 W
Luminous flux	11820 lm
Efficiency	113 lm/W
Colour temperature	2700K - 6200K (HCL)
Colour rendering (CRI)	80
IP class	20
Nominal voltage	220 – 240 V
Colour	WH-RAL9016
UGR	11,3
Glare control	✓

