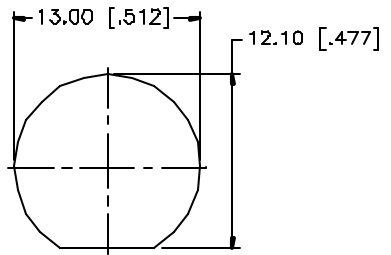
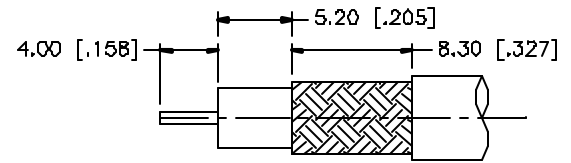


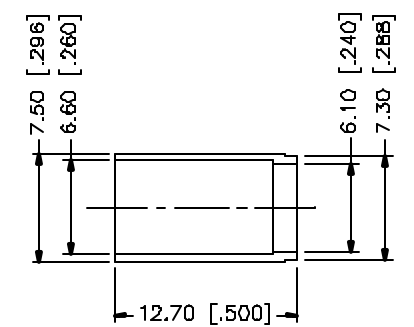
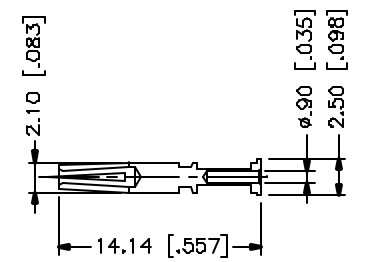
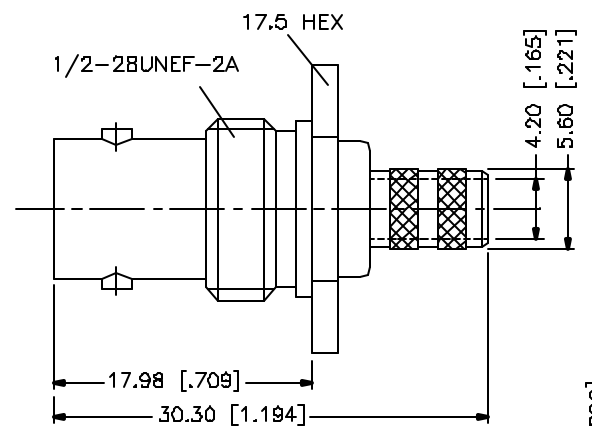
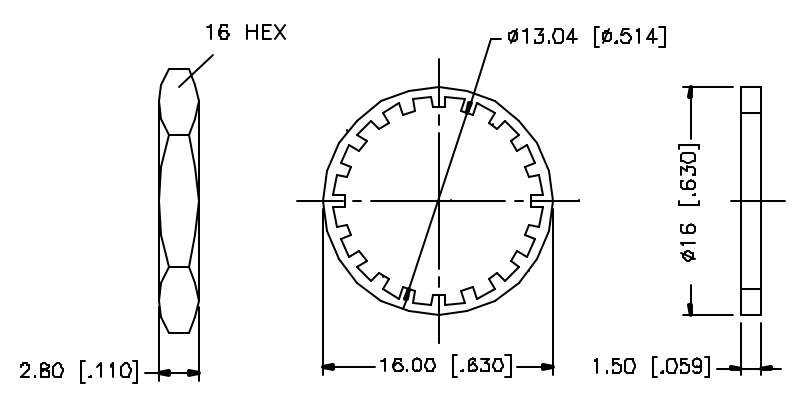
REV.	DATE	DESCRIPTION
A	03/18/05	UPDATE DRAWING FORMAT



RECOMMENDED MOUNTING HOLE



RECOMMENDED CABLE STRIPPING DIM'S



- NOTES: FINISH (PLATING THICKNESS IN MICRO-INCHES)
1. NICKEL PL. 100 MIN. OVER COPPER PL. 50 MIN. OVER COPPER PL. 50 MIN.
 2. GOLD PL. 30 MIN. OVER NICKEL PL. 50 MIN.
 3. TEFLON MIL-P-19468.

				UNLESS OTHERWISE SPECIFIED DIMENSIONS ARE IN MILLIMETERS. DIMENSIONS IN [] ARE IN INCHES AND FOR CUSTOMER REFERENCE ONLY.	APPROVALS	DATE	Amphenol Connex	
8								PART DESCRIPTION BNC BULKHEAD CRIMP JACK (FOR AT&T 734A CABLE - 75ohm)
7	FERRULE	COPPER	NICKEL	1	DRAWN G.R.S.	03/18/05		
6	HEX NUT	BRASS	NICKEL	1	CHECKED		PART NO. 112970	
5	LOCK WASHER	BRASS	NICKEL	1	ISSUED			
4	GASKET	SILICONE	RED	1	SHEET 1 OF 1		DWG. NO. 112970.DWG	
3	CONTACT PIN	PHOS. BRONZE	GOLD	1				
2	INSULATOR	TEFLON	NATURAL	1			REV. A	
1	BODY	BRASS	NICKEL	1				
DESCRIPTION MATERIAL FINISH QTY				UNLESS OTHERWISE SPECIFIED DIMENSIONS ARE IN MILLIMETERS. DIMENSIONS IN [] ARE IN INCHES AND FOR CUSTOMER REFERENCE ONLY.	CAD FILE C:/112/112970.DWG		SIZE A	SCALE NA
				DO NOT SCALE DRAWING				