

JBC C245940

Knife Cartridge 6 x 0.1

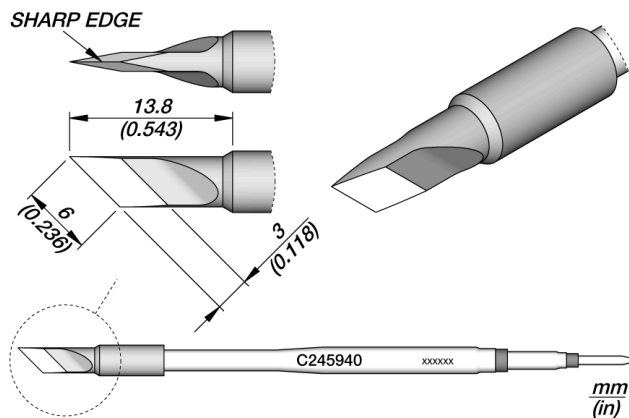
C245 cartridge range is the **widest** one of JBC with many shapes, sizes and special models.

They are appropriate for **general soldering** purposes and they are perfect for both **SMD components** or for applications with high power requirements such as ground plane soldering.

They work with T245 Handle.

JBC Long Life Tips offer instant heat up, excellent heat transfer and great durability.

They last 5 times longer than other brands thanks to the JBC Most Efficient Soldering System and the Sleep & Hibernation features.



REFERENCE

C245940

SPECIFICATIONS

Net weight 0,008 kg (0.02lb)

WEIGHT AND DIMENSIONS

Package 110 x 12 x 12 mm / 0.02 kg.
4.33 x 0.47 x 0.47 in / 0.05 lb.

Copyright © 2024 JBC Soldering S.L. | [Legal Notice](#) | [Privacy Policy](#) | [Terms and Conditions](#) | [Cookie policy](#) | [Internal Communication](#) | [RSS Feed](#) | [JBC Store](#) | [Contact Us](#)

CONNECTABLES

Compatible tools



T245-A

General Purpose Handle



T245-PA

Blue Grip General Purpose Handle



T245-NA

Nitrogen General Purpose Handle