



Application Tooling > Insertion & Extraction Tools



Insertion & Extraction Tool Type: **Contact Extraction**

Insertion & Extraction Tool Application: **Contact-to-Housing**

## Features

### Product Type Features

Insertion & Extraction Tool Type	Contact Extraction
Insertion & Extraction Tool Application	Contact-to-Housing

## Product Compliance

[For compliance documentation, visit the product page on TE.com>](#)

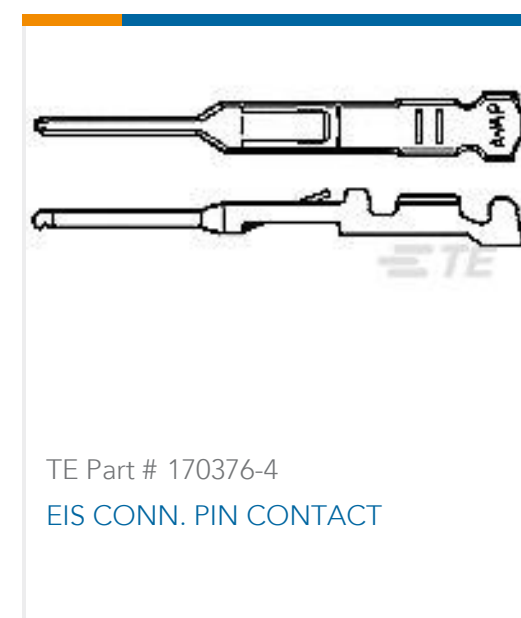
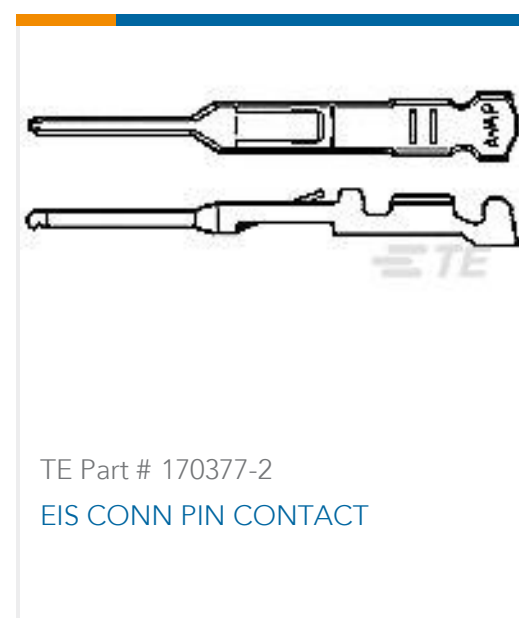
EU RoHS Directive 2011/65/EU	Out of Scope
EU ELV Directive 2000/53/EC	Out of Scope
China RoHS 2 Directive MIIT Order No 32, 2016	Not reviewed for China RoHS compliance
EU REACH Regulation (EC) No. 1907/2006	Current ECHA Candidate List: JAN 2021 (211) Candidate List Declared Against: JUN 2016 (169) SVHC > Threshold: Not Yet Reviewed
Halogen Content	Not Yet Reviewed for halogen content
Solder Process Capability	Not applicable for solder process capability

### Product Compliance Disclaimer

This information is provided based on reasonable inquiry of our suppliers and represents our current actual knowledge based on the information they provided. This information is subject to change. The part numbers that TE has identified as EU RoHS compliant have a maximum concentration of 0.1% by weight in homogenous materials for lead, hexavalent chromium, mercury, PBB, PBDE, DBP, BBP, DEHP, DIBP, and 0.01% for cadmium, or qualify for an exemption to these limits as defined in the Annexes of Directive 2011/65/EU (RoHS2). Finished electrical and electronic equipment products will be CE marked as required by Directive 2011/65/EU. Components may not be CE marked. Additionally, the part numbers that TE has identified as EU ELV compliant have a maximum concentration of 0.1% by weight in homogenous materials for lead, hexavalent chromium, and mercury, and 0.01% for cadmium, or qualify for an exemption to these limits as defined in the Annexes of Directive 2000/53/EC (ELV). Regarding the REACH Regulations, TE's information on SVHC in articles for this part number is still based on the European Chemical Agency (ECHA) 'Guidance on requirements for

substances in articles' (Version: 2, April 2011), applying the 0.1% weight on weight concentration threshold at the finished product level. TE is aware of the European Court of Justice ruling of September 10th, 2015 also known as O5A (Once An Article Always An Article) stating that, in case of 'complex object', the threshold for a SVHC must be applied to both the product as a whole and simultaneously to each of the articles forming part of its composition. TE has evaluated this ruling based on the new ECHA "Guidance on requirements for substances in articles" (June 2017, version 4.0) and will be updating its statements accordingly.

## Compatible Parts



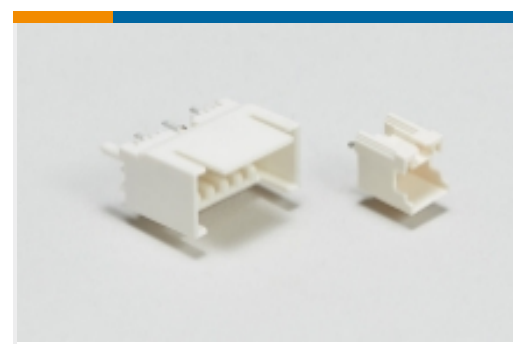
Also in the Series | [EI Series](#)



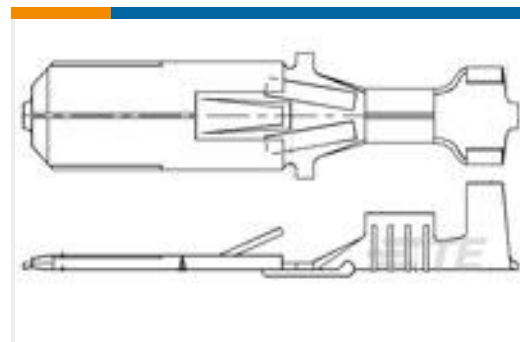
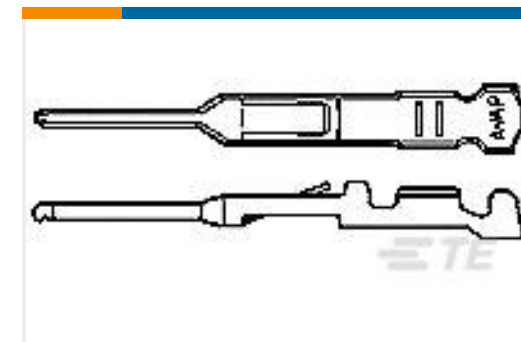
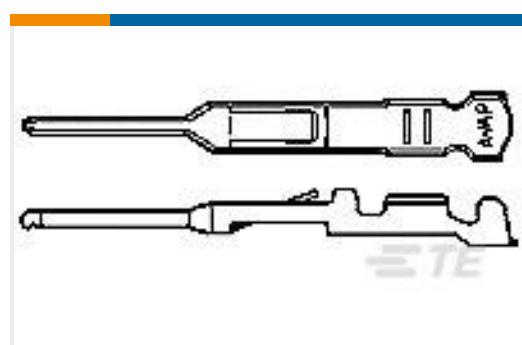
Insertion &amp; Extraction Tools(1)



Wire-to-Board Connector Contacts(1)

Wire-to-Board Headers & Receptacles  
(6)

## Customers Also Bought

TE Part #1623804-8  
Wirewound Resistor: Horizontal MountTE Part #170153-2  
FF 250 TAB 18-14AWG PTBR LPTE Part #170262-4  
EIS CONNECTOR FORMINGTE Part #170376-3  
EIS CONN. PIN CONTACTTE Part #170430-1  
EIS PIN LP 170377-1 LPTE Part #1-2040404-2  
DYNAMIC 1500T REC AND TAB HSGTE Part #170141-2  
187 FASTON, FLAG, REC., 20-16 AWG,  
TPBRTE Part #171183-2  
FF 250 REC HSG 6P NYLON GREENTE Part #91589-1  
CII MIC REC TAB 20-14 ASSYTE Part #1-963746-1  
SPECIAL TERMINAL 17-13 AWG PTPB  
LP

## Documents

### Product Drawings

[EI EXT TOOL](#)

English

### Datasheets & Catalog Pages

[Insertion-Extraction-Tool-2345721-1](#)

English

[Crimp Term Whitepaper-Use the Right Tool 1-1773953-1](#)

English



## CRIMPING WHERE FORM MEETS FUNCTION

English

---

### Instruction Sheets

[Instruction Sheet \(non U.S.\)](#)

English

[Extraction Tool For AMP EI Series Cap Housing](#)

English