

2-531803-0 ✓ ACTIVE

AMP

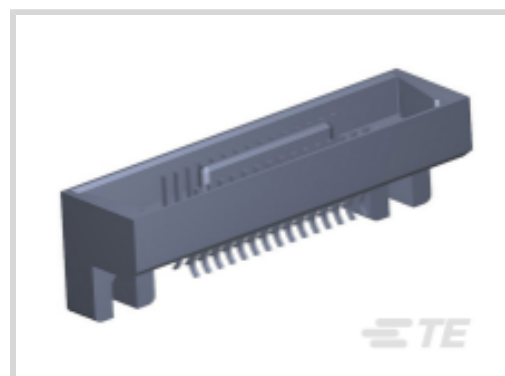
TE Internal #: 2-531803-0

PCB Mount Header, Right Angle, Board-to-Board, 100 Position, 1.27 mm [.05in] Centerline, Fully Shrouded, Gold, Printed Circuit Board

[View on TE.com >](#)



Connectors > PCB Connectors > Board-to-Board Connectors > Board-to-Board Headers & Receptacles



PCB Connector Assembly Type: **PCB Mount Header**

PCB Mount Orientation: **Right Angle**

Connector System: **Board-to-Board**

Number of Positions: **100**

Centerline (Pitch): **1.27 mm [.05 in]**

Features

Product Type Features

PCB Connector Assembly Type	PCB Mount Header
Connector System	Board-to-Board
Header Type	Fully Shrouded
Sealable	No
Connector & Contact Terminates To	Printed Circuit Board

Configuration Features

Number of Rows	2
Stackable	No
PCB Mount Orientation	Right Angle
Number of Positions	100

Electrical Characteristics

Dielectric Withstanding Voltage (Max)	600 VAC
---------------------------------------	---------

Contact Features

Mating Tab Width	.43 mm[.017 in]
Mating Tab Thickness	.45 mm[.018 in]
PCB Contact Termination Area Plating Material	Tin-Lead
Contact Base Material	Brass
Contact Mating Area Plating Material	Gold



Contact Mating Area Plating Material Thickness	1.27 μ m[50 μ in]
--	---------------------------

Contact Type	Pin
--------------	-----

Contact Current Rating (Max)	1.5 A
------------------------------	-------

Termination Features

Rectangular Termination Post & Tail Thickness	.23 mm[.009 in]
---	-----------------

Rectangular Termination Post & Tail Width	.46 mm[.018 in]
---	-----------------

Termination Post & Tail Length	3.81 mm[.15 in]
--------------------------------	-----------------

Mechanical Attachment

PCB Mount Retention Type	Mounting Ears
--------------------------	---------------

Mating Alignment	With
------------------	------

Mating Alignment Type	Keyed
-----------------------	-------

PCB Mount Retention	With
---------------------	------

PCB Mount Alignment	With
---------------------	------

Connector Mounting Type	Board Mount
-------------------------	-------------

Housing Features

Centerline (Pitch)	1.27 mm[.05 in]
--------------------	-----------------

Housing Color	Gray
---------------	------

Housing Material	LCP (Liquid Crystal Polymer)
------------------	------------------------------

Dimensions

Connector Height	13.2 mm[.52 in]
------------------	-----------------

Row-to-Row Spacing	3.81 mm[.15 in]
--------------------	-----------------

Stack Height	15.24 mm[.6 in]
--------------	-----------------

PCB Thickness (Recommended)	.05 – .07 mm[.054 – .07 in]
-----------------------------	-----------------------------

Usage Conditions

Operating Temperature Range	-65 – 125 °C[-85 – 257 °F]
-----------------------------	----------------------------

Operation/Application

Assembly Process Feature	None
--------------------------	------

Circuit Application	Power & Signal
---------------------	----------------

Industry Standards

UL Flammability Rating	UL 94V-0
------------------------	----------

Packaging Features

Packaging Quantity	1
--------------------	---

Packaging Method

Package

Product Compliance

[For compliance documentation, visit the product page on TE.com>](#)

EU RoHS Directive 2011/65/EU

Not Compliant

EU ELV Directive 2000/53/EC

Compliant with Exemptions

China RoHS 2 Directive MIIT Order No 32, 2016

Restricted Materials Above Threshold

EU REACH Regulation (EC) No. 1907/2006

Current ECHA Candidate List: JAN 2021
(211)
Candidate List Declared Against: JAN 2019
(197)
SVHC > Threshold:
Pb (4% in Plating)

Article Safe Usage Statements:

Do not eat, drink or smoke when using this product. Wash thoroughly after handling. Recycle if possible and dispose of the article by following all applicable governmental regulations relevant to your geographic location.

Halogen Content

Not Yet Reviewed for halogen content

Solder Process Capability

Reflow solder capable to 245°C

Product Compliance Disclaimer

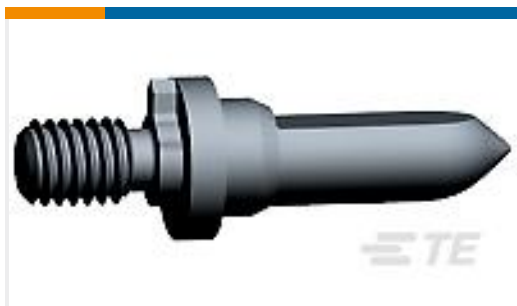
This information is provided based on reasonable inquiry of our suppliers and represents our current actual knowledge based on the information they provided. This information is subject to change. The part numbers that TE has identified as EU RoHS compliant have a maximum concentration of 0.1% by weight in homogenous materials for lead, hexavalent chromium, mercury, PBB, PBDE, DBP, BBP, DEHP, DIBP, and 0.01% for cadmium, or qualify for an exemption to these limits as defined in the Annexes of Directive 2011/65/EU (RoHS2). Finished electrical and electronic equipment products will be CE marked as required by Directive 2011/65/EU. Components may not be CE marked. Additionally, the part numbers that TE has identified as EU ELV compliant have a maximum concentration of 0.1% by weight in homogenous materials for lead, hexavalent chromium, and mercury, and 0.01% for cadmium, or qualify for an exemption to these limits as defined in the Annexes of Directive 2000/53/EC (ELV). Regarding the REACH Regulation, the information TE provides on SVHC in articles for this part number is based on the latest European Chemicals Agency (ECHA) 'Guidance on requirements for substances in articles' posted at this URL: <https://echa.europa.eu/guidance-documents/guidance-on-reach>

Compatible Parts



TE Part # 91117-2
TOOL CLINCHING

Customers Also Bought



TE Part #2000676-1
Keyed Guide Pin, Machined, Vita 46



TE Part #205163-1
RECEPT ASSY,15 POSN,AMPLIMITE



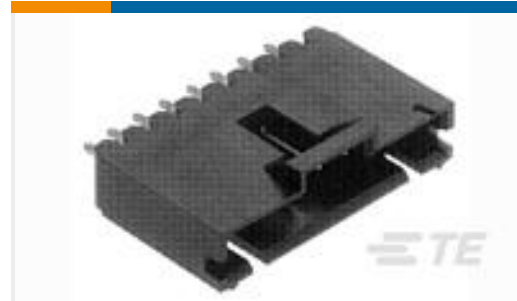
TE Part #2102735-1
BP, Half Left End, MULTIGIG RT 2R



TE Part #2102736-1
BP, Center, MULTIGIG RT 2R



TE Part #205164-1
AMPLIMITE,ASY,PLUG,STD,109,2



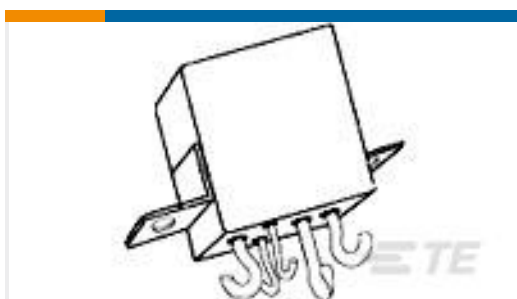
TE Part #1977162-5
05 MTE HDR SRRA SMT.100CL w/o



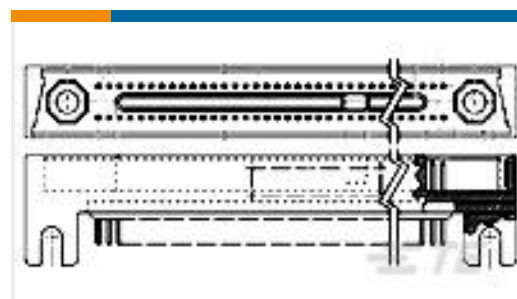
TE Part #YDTS26F25-24PNV001
D38999: Straight Plug, 25-24 Insert



TE Part #176975-2
UNIV POWER HDR ASSY 2P RED



TE Part #2-1617748-5
FCA-125-19=M6106/19-019



TE Part #1-531803-8
MINI BX PIN HDR 80 POS

Documents

Product Drawings

MINI BX PIN HDR 100 POS

English

CAD Files

3D PDF

3D

Customer View Model

[ENG_CVM_CVM_2-531803-0_R.2d_dxf.zip](#)

English

Customer View Model

[ENG_CVM_CVM_2-531803-0_R.3d_igs.zip](#)

English

Customer View Model

[ENG_CVM_CVM_2-531803-0_R.3d_stp.zip](#)

English

By downloading the CAD file I accept and agree to the [Terms and Conditions](#) of use.

Datasheets & Catalog Pages

2-531803-0

PCB Mount Header, Right Angle, Board-to-Board, 100 Position, 1.27mm [.05in]
Centerline, Fully Shrouded, Gold, Printed Circuit Board



Products for Aerospace and Defense

English