


## Product information

### RKMWV - RKMWV 4-07/2 M

Industrial Connecting Solutions: Circular Connectors: M8 - M12 Connectors: M8 Connectors: Overmolded single ended M8 cord sets: female connector: Standard Types, with threaded joint or snap-in joint: RKMWV

[http://www.e-catalog.beldensolutions.com/link/57078-24228-256281-256292-256303-250524-250526-250528-251241/en/RKMWV4\\_007\\_0200/uistate](http://www.e-catalog.beldensolutions.com/link/57078-24228-256281-256292-256303-250524-250526-250528-251241/en/RKMWV4_007_0200/uistate)

<b>Name</b>	RKMWV
	
	Cordsets, single-ended, for actuator/sensors and distribution boxes, M8 female connector, angled, with self-locking threaded joint and molded cable, 4 poles, PVC jacket, orange, 2 meters.
<b>Delivery informations</b>	
<b>Availability</b>	available
<b>Product description</b>	
<b>Type</b>	RKMWV 4-07/2 M
<b>Order No.</b>	11330
<b>Description</b>	Cordsets, single-ended, for actuator/sensors and distribution boxes, M8 female connector, angled, with self-locking threaded joint and molded cable, 4 poles, PVC jacket, orange, 2 meters.
<b>Note</b>	The application of these products in harsh environments should always be checked before use.
<b>Number of contacts</b>	4
<b>Color of housing</b>	black translucent
<b>Product characteristics</b>	Vibration resistance
<b>Classification</b>	
<b>Belden brand</b>	Lumberg-Automation
<b>Mechanical data</b>	
<b>Type of plug-in contact</b>	Female connector
<b>Design of housing</b>	angled
<b>Thread</b>	M8
<b>Design of electrical connection</b>	connector M8
<b>LED display present</b>	✘
<b>Environmental conditions</b>	
<b>Environmental temperature</b>	-40 °C ... 90 °C
<b>Degree of protection (IP), mounted</b>	IP67 / IP69K
<b>Pollution degree</b>	3
<b>Materials</b>	
<b>Housing material / Molded body</b>	TPU
<b>Contact bearer material</b>	PA/TPU
<b>Contact material</b>	CuZn
<b>Contact material - Surface refinement</b>	pre-nickelated and 0.8 microns gold-plated
<b>Knurled screw / nut material</b>	CuZn, nickel-plated
<b>Sealing material</b>	FKM
<b>Electrical data</b>	
<b>Contact resistance</b>	≤ 5 mΩ
<b>Rated current I<sub>n</sub></b>	4 A at 40°C
<b>Nominal voltage</b>	30 V
<b>Rated voltage</b>	36 V
<b>Test voltage</b>	0.8 kV eff./60 s
<b>Insulation resistance</b>	> 1 GΩ
<b>Approvals</b>	
<b>Approvals</b>	UL
<b>Cable</b>	
<b>Cable length</b>	2 m

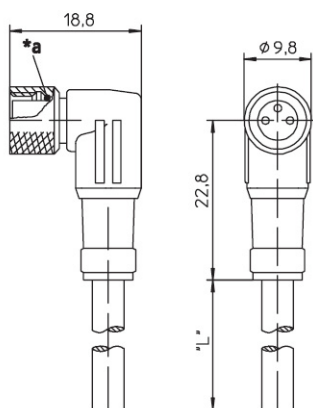
Industrial Connecting Solutions: Circular Connectors: M8 - M12 Connectors: M8 Connectors: Overmolded single ended M8 cord sets: female connector: Standard Types, with threaded joint or snap-in joint: RKMWV

[http://www.e-catalog.beldensolutions.com/link/57078-24228-256281-256292-256303-250524-250526-250528-251241/en/RKMWV4\\_007\\_0200/uistate](http://www.e-catalog.beldensolutions.com/link/57078-24228-256281-256292-256303-250524-250526-250528-251241/en/RKMWV4_007_0200/uistate)

Cable number	07
Cable description	Sensor connecting cable
Color of jacket	orange
Material of outer jacket	PVC
Without halogens as in EN 50267-2-3	✗
shielded	✗
welding spark proof	✗
Outer diameter of the cable	5.0 mm
Number of conductors	4
Cable design	4 x 0.25 mm <sup>2</sup>
Conductor design	32 x 0.10 mm
Flame resistant according to standard	none

**Picture**

**Drawing**



\*a O-Ring  
O-ring

**4-polig  
4 poles**



- 1 = braun / brown
- 2 = weiß / white
- 3 = blau / blue
- 4 = schwarz / black

**Belden Deutschland GmbH**

Im Gewerbepark 2

58579 Schalksmühle

Germany

Phone: +49 7127/14-1806

E-Mail: [icos-sales@belden.com](mailto:icos-sales@belden.com)

The information published in the websites has been compiled as carefully as possible. It is subject to alteration without notice in technical as well as in price-related/commercial respect. The complete information and data were available on user documentation. Mandatory information can only be obtained by a concrete query.