

2-327043-1 ✓ ACTIVE

PLASTI-GRIP

TE Internal #: 2-327043-1

Ring Terminals & Spade Terminals, Spade Tongue, 22 – 16AWG

Wire Size, .26 – 1.65mm² Wire Size, 509 – 3260CMA Wire Size, M3.5

/ #6

[View on TE.com >](#)



Terminals & Splices > Ring Terminals & Spade Terminals



Terminal & Splice Type: **Spade Tongue**

Wire Size: **509 – 3260 CMA**

Ring & Spade Stud Size: **#6, M3.5**

Features

Product Type Features

Shape Description	SPADE-021
Ring & Spade Stud Size	#6, M3.5
Ring & Spade Barrel Type	Closed Barrel
Sealable	No
Insulated	Yes
Ring & Spade Wire/Cable Type	Regular Wire
Support Style	Insulation Support

Configuration Features

Terminal Angle	Straight
----------------	----------

Electrical Characteristics

Voltage (Max)	600 V
---------------	-------

Body Features

Inspection Slot	No
Insulation Sleeve Color	Red
Weight per Piece	.155 g
Stripe Color	Red
Ring & Spade Plating Material	Copper, Tin

Contact Features

Terminal & Splice Type	Spade Tongue
------------------------	--------------



Ring & Spade Terminal Orientation

Offset

Mechanical Attachment

Wire Insulation Support

With

Dimensions

Wire Size

509 – 3260 CMA

Stud Diameter

3.68 mm[.145 in]

Tongue Thickness

.79 mm[.031 in]

Ring & Spade Overall Length

21.79 mm[.858 in]

Ring & Spade Wire Insulation Diameter (Max)

3.56 mm[.14 in]

Ring & Spade Wire Insulation Diameter

2.67 – 3.56 mm[.105 – .14 in]

Usage Conditions

Insulation Requirement

Partially Insulated

Operating Temperature Range

105 °C[221 °F]

Operation/Application

Heavy Duty

No

Industry Standards

Government Qualified

No

Packaging Features

Packaging Quantity

5000

Ring & Spade Packaging Method

Tape Mounted

Product Compliance

For compliance documentation, visit the product page on [TE.com](https://www.te.com)>

EU RoHS Directive 2011/65/EU

Compliant

EU ELV Directive 2000/53/EC

Compliant

China RoHS 2 Directive MIIT Order No 32, 2016

No Restricted Materials Above Threshold

EU REACH Regulation (EC) No. 1907/2006

Current ECHA Candidate List: JAN 2021 (211)
 Candidate List Declared Against: JAN 2021 (211)
 Does not contain REACH SVHC

Halogen Content

Not Low Halogen - contains Br or Cl > 900 ppm.

Solder Process Capability

Not applicable for solder process capability

Product Compliance Disclaimer

This information is provided based on reasonable inquiry of our suppliers and represents our current actual knowledge based on the information they provided. This information is subject to change. The part numbers that TE has identified as EU RoHS compliant have a maximum concentration of 0.1% by weight in homogenous materials for lead, hexavalent chromium, mercury, PBB, PBDE, DBP, BBP, DEHP, DIBP, and 0.01% for cadmium, or qualify for an exemption to these limits as defined in the Annexes of Directive 2011/65/EU (RoHS2). Finished electrical and electronic equipment products will be CE marked as required by Directive 2011/65/EU. Components may not be CE marked. Additionally, the part numbers that TE has identified as EU ELV compliant have a maximum concentration of 0.1% by weight in homogenous materials for lead, hexavalent chromium, and mercury, and 0.01% for cadmium, or qualify for an exemption to these limits as defined in the Annexes of Directive 2000/53/EC (ELV). Regarding the REACH Regulation, the information TE provides on SVHC in articles for this part number is based on the latest European Chemicals Agency (ECHA) 'Guidance on requirements for substances in articles' posted at this URL: <https://echa.europa.eu/guidance-documents/guidance-on-reach>

Compatible Parts



REPRESENTATION ONLY

TE Part # 47386
DAHT PG PIDG 26-16 ASSY



TE Part # 58433-3
PRO CR ASSY, RBY IS9252



TE Part # 58423-1
DIE, RBY IS9252



TE Part # 169404
CERTI-LOK DIE

Customers Also Bought



TE Part #2-36153-2
PIDG RING TONGUE TERMINALS




TE Part #1-640251-0
3.96mm Wire-to-board housing: receptacle, no mating alignment, SL 156



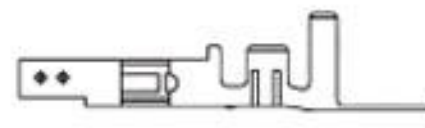
TE Part #2-2013289-1
EMBOSS TAPE DDR3 204P 5.2H STD




TE Part #2-320665-1
PG SPD 22-16 COMM 22-18 MIL 6



TE Part #1586314-3
VAL-U-LOK PIN PHBZ SN 24-18 LP



TE Part #1586315-3
VAL-U-LOK SKT PHBZ SN 24-18 LP



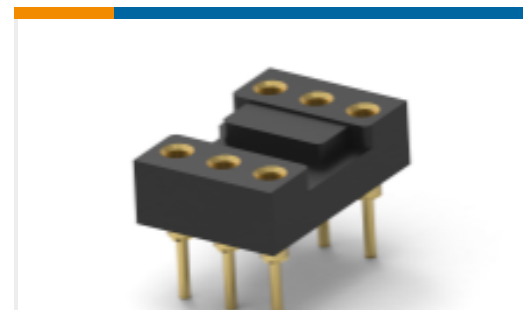
TE Part #1-104481-0
SHORT POINT CONT 15 DPLX STMPD LF



TE Part #DTM04-4P-E003
DEUTSCH DTM HOUSINGS



TE Part #1-1757824-0
AMPLIMITE,ASY,RCPT,STD,90,ZN,4,CT



TE Part #1-1437535-4
DIP Socket: Standard, Stamped & Formed, Closed, Gold

Documents

Product Drawings

[PG SPD 22-16 COMM 22-18 MIL 6](#)

English

CAD Files

[3D PDF](#)

3D

Customer View Model

[ENG_CVM_CVM_2-327043-1_H.2d_dxf.zip](#)

English

Customer View Model

[ENG_CVM_CVM_2-327043-1_H.3d_igs.zip](#)

English

Customer View Model

[ENG_CVM_CVM_2-327043-1_H.3d_stp.zip](#)

English

By downloading the CAD file I accept and agree to the [Terms and Conditions](#) of use.

Product Specifications

[Application Specification](#)

English

Product Environmental Compliance

[Product Compliance](#)

English

[Product Compliance](#)

English

Agency Approvals

[UL Report](#)

English

[UL Report](#)

English