



VK A R22 F40 STBL (308 030)

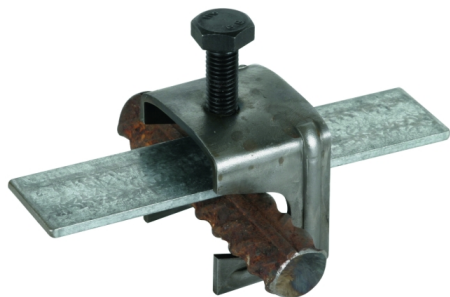
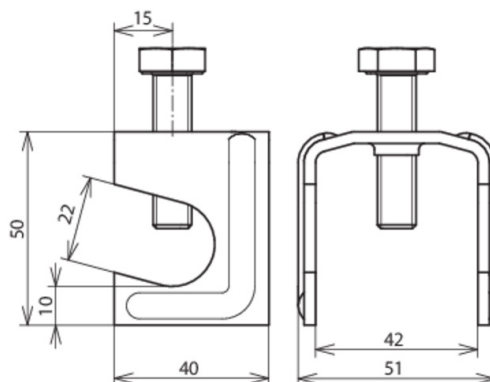


Figure without obligation



Type	VK A R22 F40 STBL
Part No.	308 030
Material	St/bare
Clamping range Rd / FI	(+) 6-22 / 30-40 mm
Screw	☛ M10 x 40 mm
Material of screw	St/bare
Short-circuit current (50 Hz) (1 s; ≤ 300 °C)	1.0 kA
Standard	EN 62561-1
Weight	125 g
Customs tariff number (Comb. Nomenclature EU)	85389099
GTIN	4013364030749
PU	50 pc(s)

We reserve the right to introduce changes in performance, configuration and technology, dimensions, weights and materials in the course of technical progress. The figures are shown without obligation.