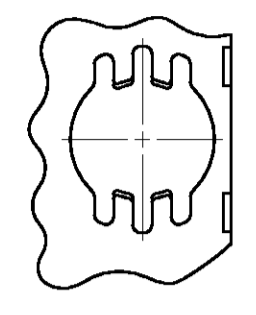
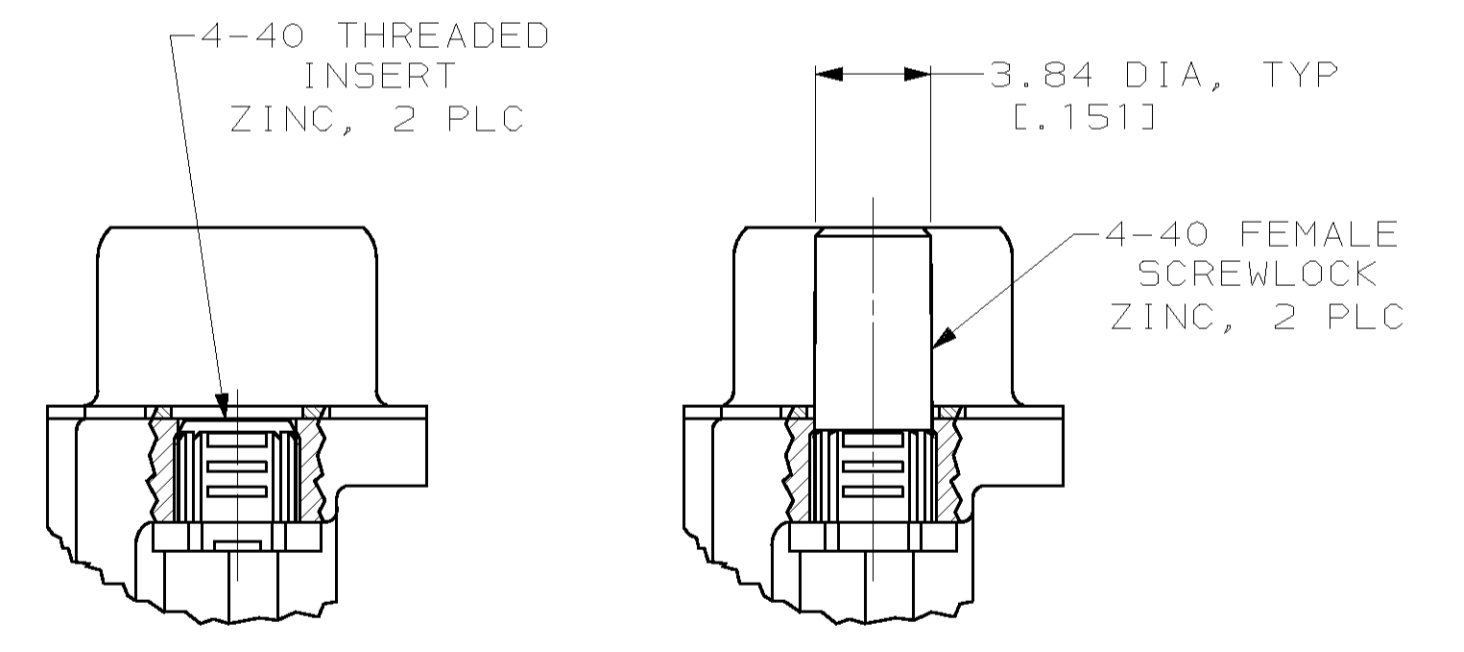
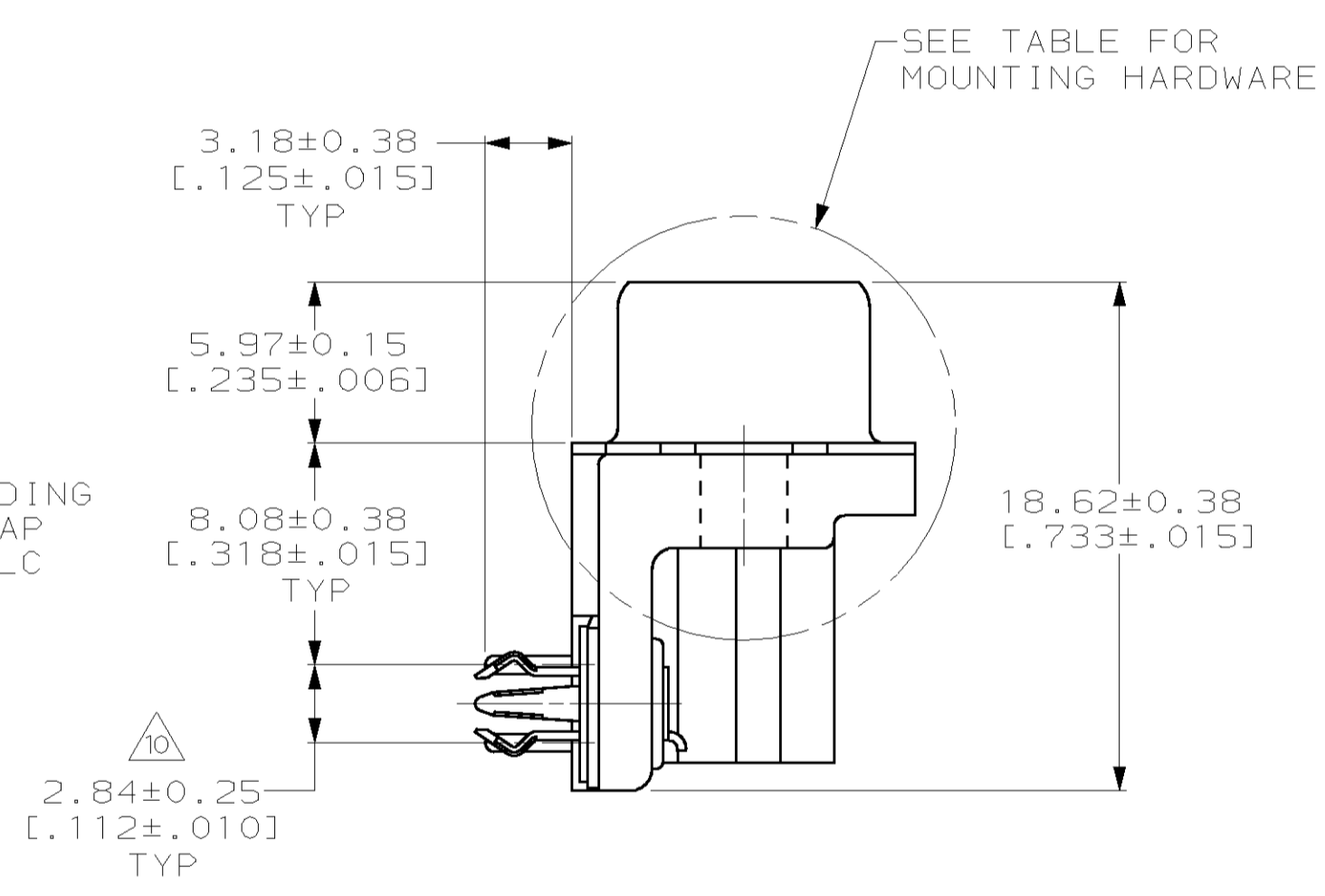
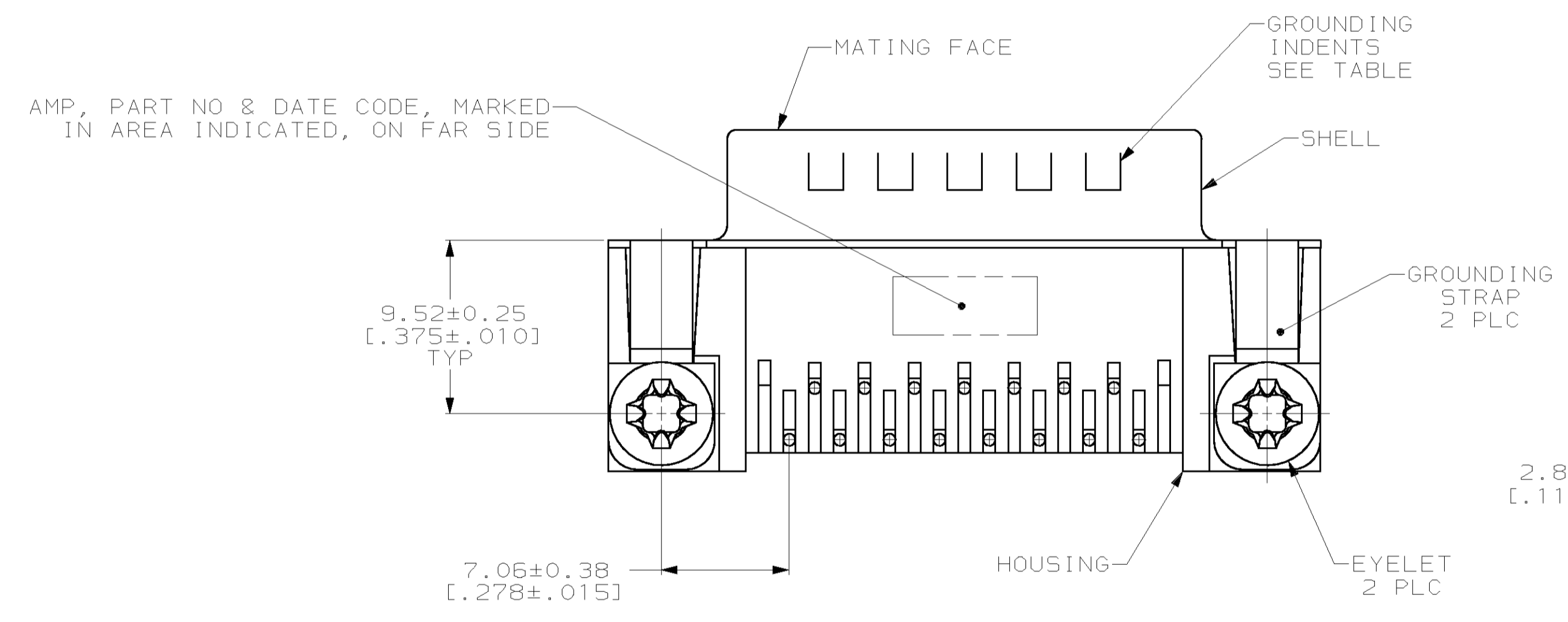
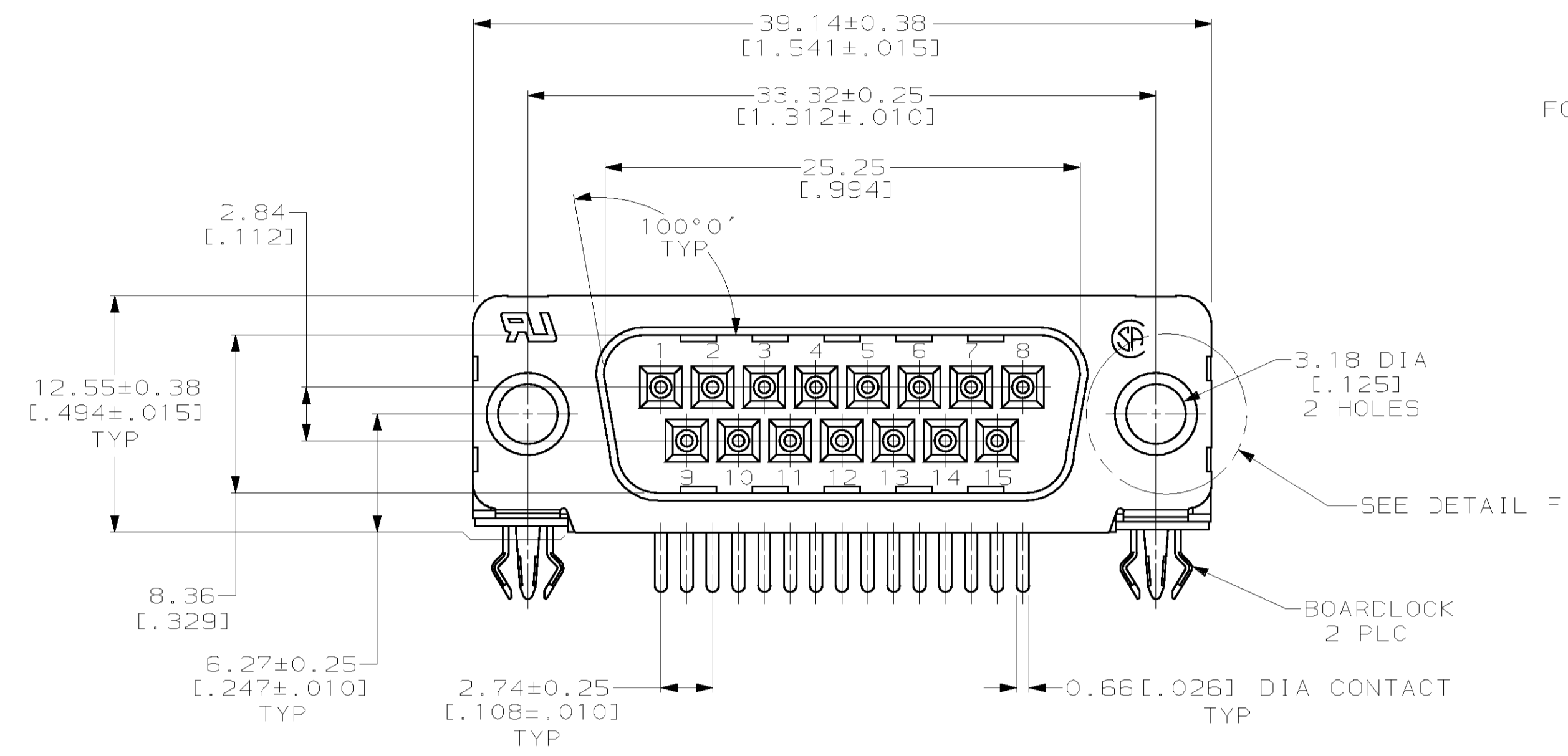


- 1 NYLON OR POLYESTER, FLAME RETARDANT, UL 94V-0 RATED, GLASS FILLED, BLACK.
- 2 BRASS PER MIL-C-50.
- 3 CARBON STEEL PER ASTM A109.
- 4 EYELETS: BRASS; BOARDLOCKS: COPPER ALLOY.
- 5 GOLD PLATING PER MIL-G-45204; NICKEL PLATING PER QQ-N-290; TIN PLATING PER MIL-T-10727; COPPER PLATING PER MIL-C-14550.
- 6 2.54µm [0.000100] MIN TIN OVER 1.27µm [0.000500] MIN COPPER.
- 7 5.08µm [0.000200] MIN TIN OVER COPPER FLASH.
- 8 GOLD PLATED FOR A LENGTH OF 3.81 [0.150] MIN FROM MATING END, GOLD FLASH IN MATED AREA. 2.54µm [0.000100] MIN TIN OR TIN-LEAD FOR A LENGTH OF 3.56 [0.140] MIN FROM OPPOSITE END, BOTH OVER 1.27µm [0.000500] MIN NICKEL.
- 9 GOLD PLATED FOR A LENGTH OF 3.81 [0.150] MIN FROM MATING END, 0.76µm [0.000300] MIN GOLD IN MATED AREA, 2.54µm [0.000100] MIN TIN OR TIN-LEAD FOR A LENGTH OF 3.56 [0.140] MIN FROM OPPOSITE END, BOTH OVER 1.27µm [0.000500] MIN NICKEL.
- 10 DIMENSION APPLIES FROM CENTER OF CONTACTS.
- 11 5.08µm [0.000200] MIN TIN-LEAD OVER 1.27µm [0.000500] MIN NICKEL.
- 12 5.08µm [0.000200] MIN TIN OVER 1.27µm [0.000500] MIN NICKEL.
- 13 SUPERSEDED BY 747841-2.
- 14 SUPERSEDED BY 747841-6.
- 15 OBSOLETE.

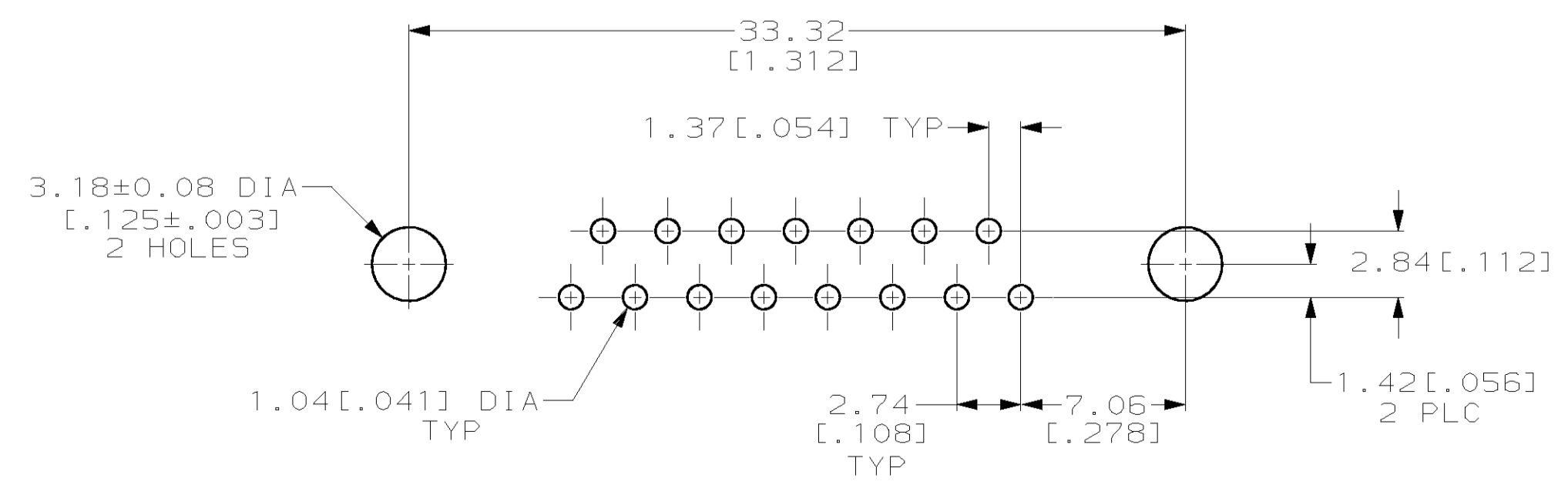


FOR -5 AND -6 ONLY

DETAIL F  
2 PLC



DETAIL D DETAIL E



P.C. BOARD MOUNTING DIMENSIONS  
P.C. BOARD THICKNESS: 1.57 [0.062]

YES	SEE DETAIL E	11	9	6-747841-8
YES	SEE DETAIL D	12	9	6-747841-7
NO	-	11	9	747841-7
YES	SEE DETAIL E	11	9	747841-6
YES	SEE DETAIL E	11	8	747841-5
YES	SEE DETAIL D	11	9	747841-4
YES	SEE DETAIL D	11	8	747841-3
YES	-	11	9	747841-2
YES	-	11	8	747841-1
GROUNDING INDENTS	MOUNTING HARDWARE	BOARDLOCK FINISH	CONTACT FINISH	PART NUMBER

THIS DRAWING IS A CONTROLLED DOCUMENT.		DWN H. G. LENKER 05 OCT 89	AMP Incorporated Harrisburg, PA 17105-3608	
DIMENSIONS: mm [INCHES]		CHK R. STONE 05 FEB 90	NAME M. D. GALLOWAY 06 FEB 90	
TOLERANCES UNLESS OTHERWISE SPECIFIED:		PRODUCT SPEC 108-40025		
0 PLC ±.01		APPLICATION SPEC 114-40010		
1 PLC ±.02		SIZE 114-40010		
2 PLC ±.03		CAGE CODE 114-40010		
3 PLC ±0.13 [0.005]		DRAWING NO A100779		
4 PLC ±.04		REVISED 747841		
ANGLES ±2°		RESTRICTED TO CUSTOMER DRAWING		
MATERIAL HOUSING: 1		WEIGHT		
SHELL: 2		SCALE 4:1		
CONTACTS: 3		SHEET 1 OF 1		
FINISH: 4		REV R		
SHIELD: 5				
HARDWARE: 6				
CONTACTS: 7				
SHIELD: 8				
HARDWARE: 9				