

FELLER GMBH

A-2525 GUENSELSDORF, AUSTRIA - TEL.: .. 43(2256) 62 32 50 - FAX: .. 43 (2256) 62 32 57
e-mail: sales@feller-at.com <http://www.feller-at.com>

Description: C14G-HARSJT3x17(1,0)AWG-C13/1,00M BLACK (L82)

Rating of cord set: 10A,250 Vac

1. PLUG: Type C14G

Interconnection coupler according to : EN/IEC 60320-2-2/E,UL 817,C22.2No.21,JISC8303,GB17465.1
Rated current and voltage : 10 A, 250 V AC
Plugbase : PPO GFR
Pins : solid brass,nickel-plated,crimped
Pins dimension : 4,00mm x 2,00mm
Outer mold : PVC compound, hardness Shore A75-77
Approvals : CE,ENEC,SAA,UL,CSA,PSE,CCC

2. CORD: Type HARSJT3x17(1,0)AWG

Flexible cord according to : UL62,CSA 22.2No49,ÖVEK41a,HD21.5 S3:1994/A2:2001, AS3191, GB5023,JIS C3306,IEC 60227
Marked : *JF*<ÖVE><HAR>H05VVF3G1,0mm2*CE*N1095*UL*E41542* SJT*3X17AWG*(1.04mm2)*75C*300V*FT2*CSA*CCC*A014300* 60227 IEC53(RVV)300/500V 3x1,0mm2*<PS>E*JET*HVCTF*75C
Number of cores : 3
Conductor construction : 32x0,2 mm O.D. 1,30mm
Conductor insulation : Extruded PVC O.D. 2,85mm
Jacket : Extruded PVC O.D. 7,80mm +/- 0,20mm
Temperature rating : HAR -20°C up to +70°C/UL -20°C up to +75°C/PSE up to +75°C
El. Resistance of conductors : max. 17,8 Ω/km
Dielectric strength : 2kVac, 1min.
Insulation resistance : >0,010MΩ/km
Color of conductors : yellow/green, brown, blue
Approvals : HARMONIZED,ÖVE,SAA,UL,CSA,CCC,PSE(JET)

3. CONNECTOR: Type C13

Molded connector according to : EN/IEC60320/C13,UL817,C22.2No.21,GB17465.1, JIS C8303
Rated current and voltage : 10 A, 250 V AC
Construction : double insulation
Contacts of the connection : self-adjusting phosphor bronze CuSn6
Inner insulation : PPO GFR
Outer mold : PVC compound, hardness Shore A 75-77
Approvals : CE,ENEC,SAA,UL,CSA,CCC,PSE(JET),SII

Environmental conformity

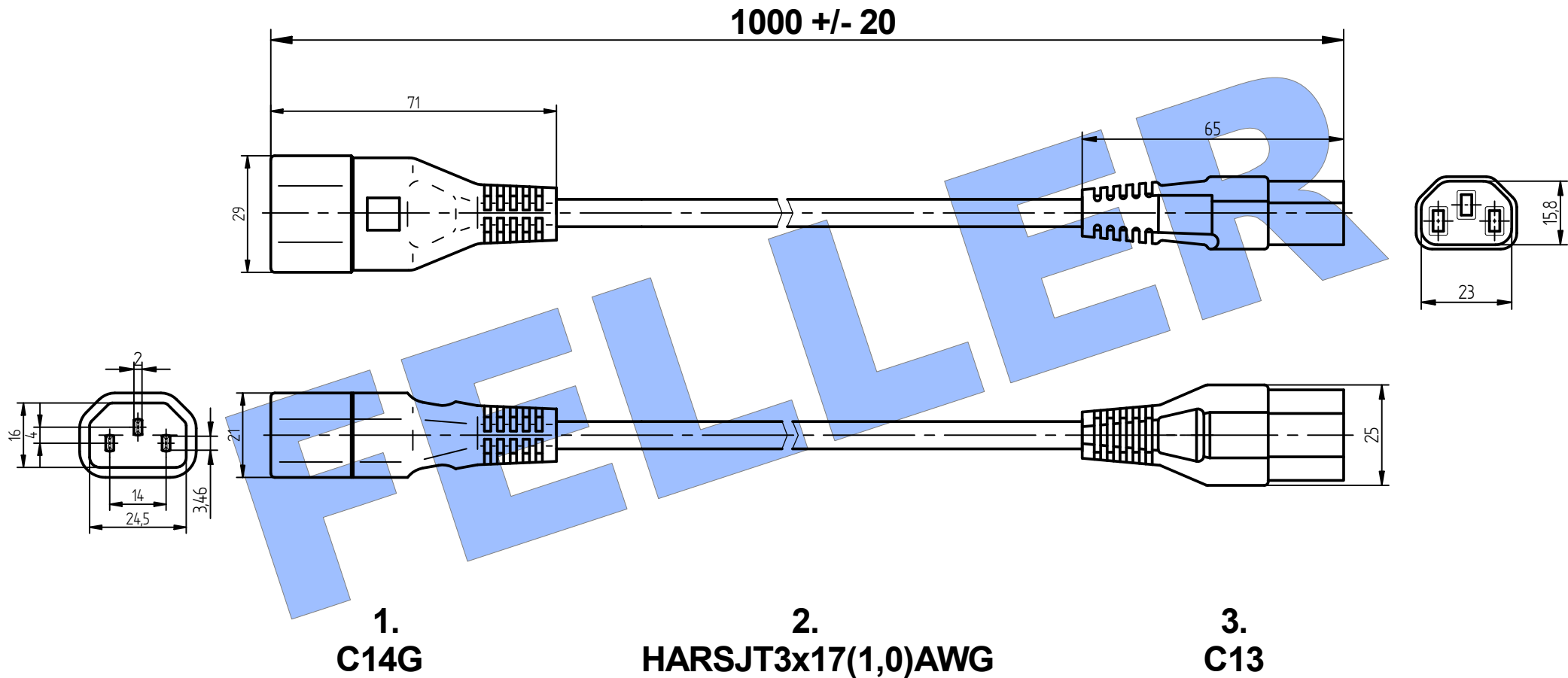
: EU-Directive 2002/96/EC (WEEE)
EU-Directive 2003/11/EC (Council Directive 76/769/EEC)
EU-Directive 2002/95/EC (RoHS-compliant)
China-RoHS

TESTING

Electrical testing : 100%
Visual inspection : 100%
High pot test wire to wire : 3 kv for 2 sec.
Continuity test : 25A to grounding / 20A to line and neutral
Polarity test : yes
Skin high pot test : 6kv line to skin

Tolerances not indicated in the drawing: +/- 2 %
design subject to change without prior notice

DATE of ISSUE:	August, 2012		
REV: 2	1	ORIG:	lg



Feller Type: C14G-HARSJT3x17(1,0)AWG-C13/1,00M SW9005 (L82)

FELLER 

A-2525 Günselsdorf, Austria

Telefon 0043-2256-62325-0

Fax: 0043-2256-62325-7

email: sales@feller-at.com

<http://www.feller-at.com>

P/N:

All dimensions in mm

06.09.2012 lg

RoHS compliant