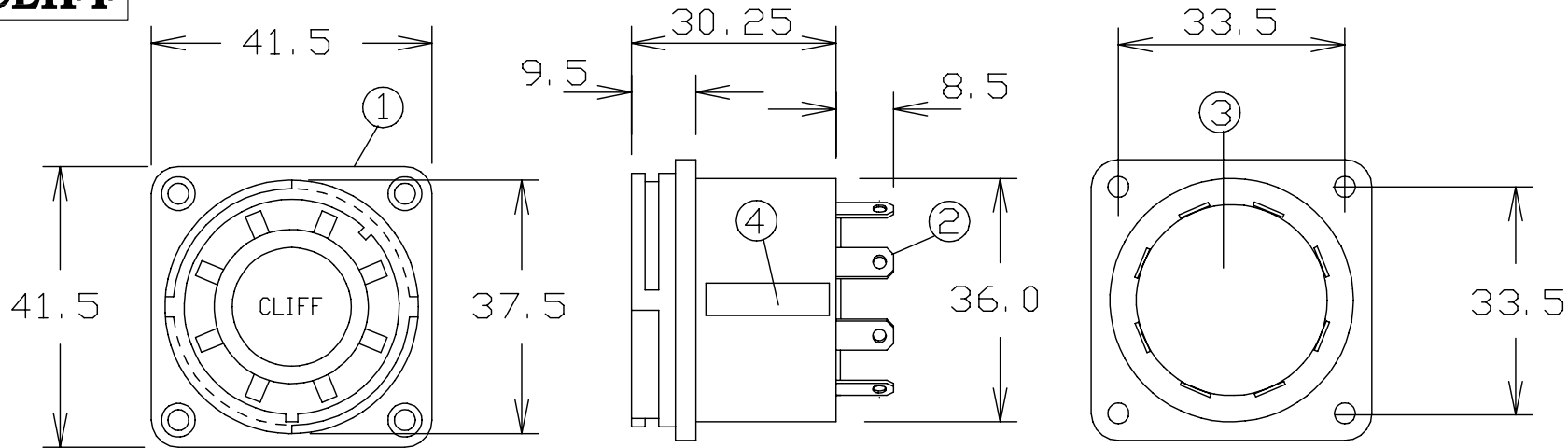
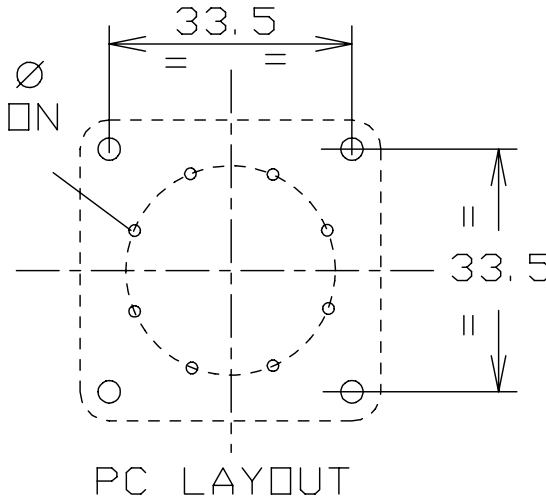


CLIFF



ISS.	AMEND	DATE
1	1st DRAWN	20/03/96
2	FCR6930SA2 ADD	26/04/96
3	PbRz WAS BeCu	26/06/96
4	WAS FC6936	04/07/96
5	CONTACTS ADD	11/10/96
6	PC P/No CORRECT	09/01/97
7	WAS CL2074	07/12/04
8	NOTE REMOVED	21/03/05
9	LOCATION RIB ADD	20/03/12

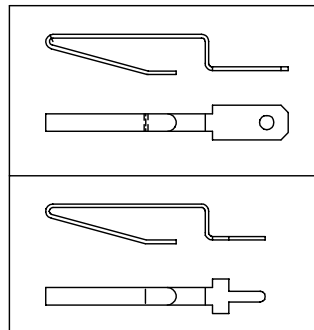
8 HOLES 1.6 Ø
EQUI-SPACED ON
28.9 P.C.D.



VARIANTS

P/No.	DESC
FCR 20741	8PC/S RS215-6420
FCR 20742	8PC/S-PC

RATED
15A. @ 20°C INTERMITTANT.



STD CONTACT #633
FCR 6930SA2T

PC CONTACT #633PC
FCR 6930SA6T

ITEM	DESC	MATL	No PER	P/No.	NOTES
1	BODY	GF / POLYAMIDE (BLK)	1	FCR2074SA1	
2	CONTACT	PbRz / Sn PLATED	8	FCR6930SA2T	TIN PLATED
3	RETAINER	POLYAMIDE (BLK)	1	FCR2074SA2	
4	PRINTING (CUSTOM MODEL)	INK (WHITE)	1	FCR20741	

IMPORTANT: FOR USE WITH PLUG FCR2072 ISSUE 12 OR LATER.
NOT COMPATIBLE WITH OLDER VERSION PLUG FCR2072 ISSUE 11 AND BEFORE.

RoHS
COMPLIANT

TOLERANCE
NO DEC. PLACE ±
1 DEC. PLACE ±0.20
2 DEC. PLACE ±
HOLE Ø ±
ANGLES ± 1/2°
UNLESS
OTHERWISE STATED

Cliff Electronic Components Ltd.

76 Holmethorpe Avenue, Holmethorpe Industrial Estate,
Redhill, Surrey, RH1 2PF, England, UK
Tel: 01737-771375 Fax: 01737-766012 Website: www.cliffuk.co.uk

DIMENSIONS IN MILLIMETERS UNLESS OTHERWISE STATED. WORK TO DIMENSIONS. REMOVE ALL BURRS. IF IN DOUBT ASK.

3rd ANGLE PROJECTION:

DO NOT SCALE

MATERIAL: COMPOSITE

TITLE: CLIFFCON 8PC/S SOCKET (8 POLE)

FINISH: CLEAN

DRWG. No. **FCR 2074**

THE CONTENTS OF THIS DOCUMENT MUST NOT BE COPIED OR DISCLOSED TO A 3rd PARTY WITHOUT WRITTEN PERMISSION OF CLIFF UK. © 1996

DRAWN: CAMJ

APPROVED: RWT

FORM: A4DRWGH