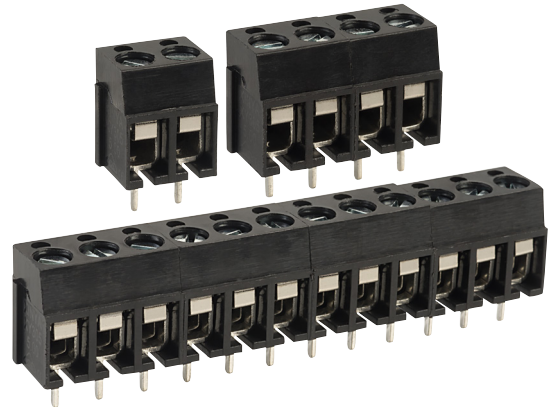


## Specifications

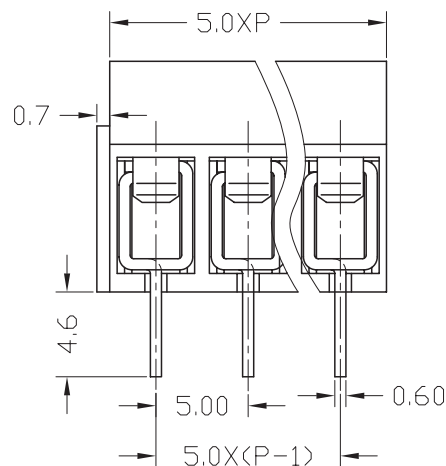
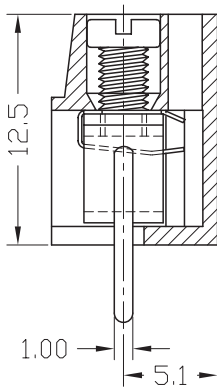
Pitch:	5.0mm
Type:	Wire Protector, Interlocking
Poles:	2 to 12
Rated Voltage:	300V
Rated Current:	15A
Operational Temperature:	-40°C to +105°C
Withstand Voltage:	2000V AC for 60s
Insulation Resistance:	500MΩ at 500V DC
Wire Range:	22-14AWG, 2.5mm <sup>2</sup>
Wire Stripping Length:	5-6mm ± 0.5mm
Screw Size:	M3
Max. Torque Value:	0.4Nm
Wave Soldering:	260°C for 5s
Hand Soldering:	350°C for 10s



## Colour and Materials

Housing Colour:	Black
Housing Material:	PBT
Flame Retardancy:	UL94-V0
Screw:	Zinc-plated steel (A3)
Wire Protector:	Stainless steel
Pin Header:	Tin-plated brass

Order Code	Poles	Order Code	Poles
21-1810	2	21-1819	8
21-1812	3	21-3978	9
21-1814	4	21-1820	10
21-1815	5	21-3979	11
21-1816	6	21-1818	12
21-3969	7		



Measurements are in mm unless stated otherwise.

