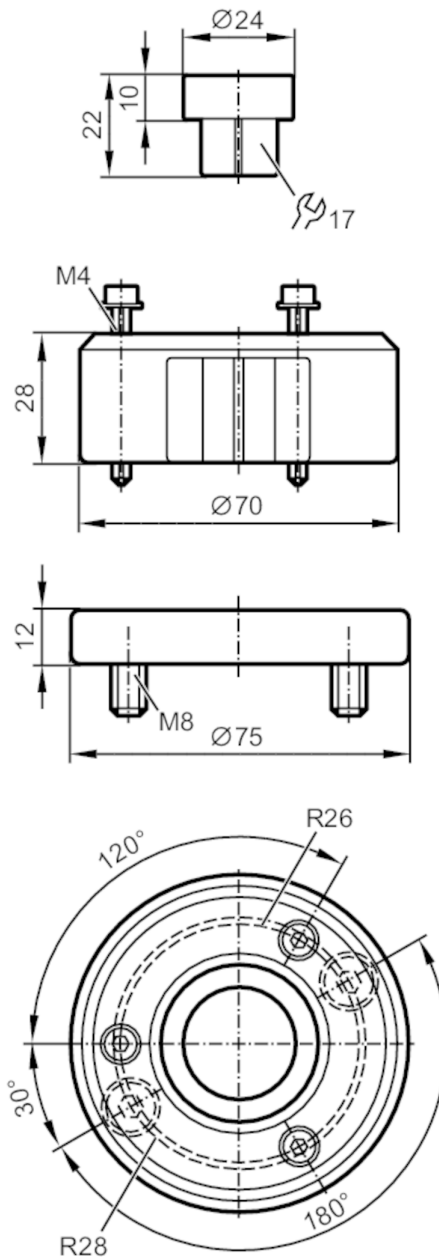


E12515



Mounting adapter for position sensors used on rising stem valves

VALVIS ADAPTER 22



Application	
Design	for SPX/APV valves type single seat valves
Mechanical data	
Weight [g]	456.2
Materials	flange: stainless steel; spacer: POM; Target: stainless steel (1.4404 / 316L)
Accessories	
Accessories (supplied)	cylinder screws: 3 x M4 x 40 A2 washers: 3 x M4 countersunk screws: 2 x M8 x 16 A2
Remarks	
Pack quantity	1 pcs.