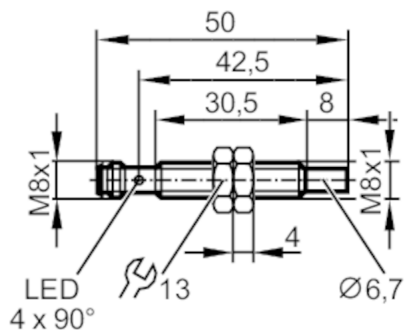


IE5362



Inductive sensor

IEB3004-BPKG/V4A/AS



Product characteristics

Electrical design	PNP
Output function	normally open
Sensing range [mm]	4
Housing	threaded type
Dimensions [mm]	M8 x 1 / L = 50

Application

Special feature	Gold-plated contacts
-----------------	----------------------

Electrical data

Operating voltage [V]	10...36 DC
Current consumption [mA]	< 15
Protection class	III
Reverse polarity protection	yes

Outputs

Electrical design	PNP
Output function	normally open
Max. voltage drop switching output DC [V]	2.5
Permanent current rating of switching output DC [mA]	200
Switching frequency DC [Hz]	800
Short-circuit protection	yes
Overload protection	yes

Detection zone

Sensing range [mm]	4
Real sensing range Sr [mm]	4 ± 10 %
Operating distance [mm]	0...3.24

Accuracy / deviations


Correction factor	stainless steel: 0.7 / brass: 0.5 / aluminium: 0.4 / copper: 0.3
Hysteresis [% of Sr]	1...20
Switch point drift [% of Sr]	10

IE5362



Inductive sensor

IEB3004-BPKG/V4A/AS

Operating conditions		
Ambient temperature	[°C]	-10...70
Protection		IP 65; (with ifm socket duly screwed on: IP67)
Tests / approvals		
EMC	EN 61000-4-2 ESD	4 kV CD / 8 kV AD
	EN 61000-4-3 HF radiated	10 V/m
	EN 61000-4-4 Burst	2 kV
	EN 61000-4-5 Surge	0,5 kV line to line, Ri: 2 Ohm
	EN 61000-4-6 HF conducted	10 V
		EN 55011
Vibration resistance	EN 60947-5-2	
Shock resistance	EN 60947-5-2	
MTTF	[years]	2378
UL approval	Ta	0...60 °C
	Enclosure type	Type 1
	voltage supply	Class 2
	File number UL	E174191
Mechanical data		
Weight	[g]	17.8
Housing		threaded type
Mounting		non-flush mountable
Dimensions	[mm]	M8 x 1 / L = 50
Thread designation		M8 x 1
Materials		stainless steel (1.4404 / 316L); cover: LCP; LED window: PA; potting: oil resistant; lock nut: stainless steel (1.4404 / 316L)
Tightening torque	[Nm]	A = 5 mm: 2 Nm; B: 6 Nm
Displays / operating elements		
Display	switching status	4 x 90° LED, yellow
Accessories		
Accessories (supplied)		lock nuts: 2
Remarks		
Pack quantity		1 pcs.
Electrical connection - plug		
Connector: 1 x M8; Contacts: gold-plated		
		

IE5362



Inductive sensor

IEB3004-BPKG/V4A/AS

Connection



Diagrams and graphs

Installation

