

MIRO SAFE+ SWITCH ECOA 24

24 VAC/DC - 2 N/O contact /1 PLC output

5 × 2 A; 3 × 6 A

Protection-door and emergency-stop control

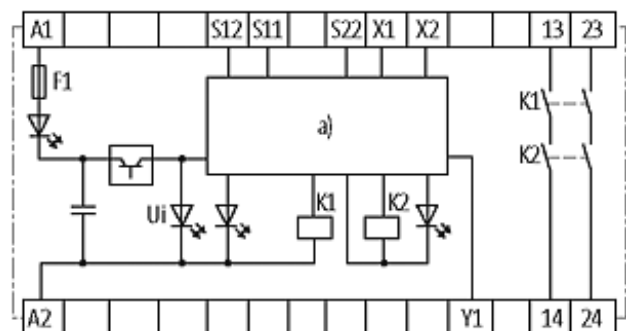
Light curtain control

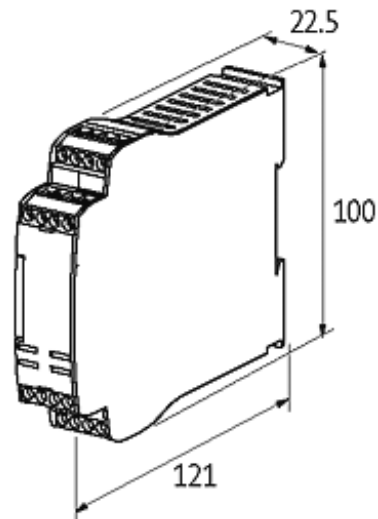
Safety magnetic switch control

Automatic/manual reset/start

[Link to Product](#)

Illustration





Product may differ from Image

Utilization category

Safety contacts (STOP 0)	max. 250 V AC/4 A; min. 5 V AC/1 mA (ohm./ind.), at suitable suppression
AC-15	2 A (230 V AC) STOP0
DC-13	1 A (24 V DC) STOP0
Alarm outputs	100 mA (24 V DC)

Input

Input voltage	24 V DC (-15/+20 %), 24 V AC (-15/+10 %)
Input current	max. 5.2 VA/2.0 W

Safety Indicators

PL	up to 4
----	---------

General data

Mech./ elect. life	10.000.000 switching cycles/load dependent
Connection	Screw terminals
Mounting method	DIN-rail mountable (EN 60715)
Dimensions H × W × D	100×22.5×121 mm
Temperature range	-25...+60 °C (storage temperature -40...+85 °C)

Output

Switching voltage	max. 250 V AC/DC
Switching current per output	max. 4 A
Number of auxiliary contacts	0
Number of alarm outputs	1 - (Y1)
Number of safety contacts	2 - (13-14; 23-24)
Contact material	AgSnO, self cleaning, positively driven

Commercial data

country of origin	DE
customs tariff number	85364900

minimum order quantity

1