

ACCES.F.FUSE SWI. DISCONNECTOR FOR NH00  
FIXING KIT FOR 2 STANDARD MOUNTING RAILS  
WITH CLEARANCE 125MM OR 150MM



Figure similar

Model	
product brand name	SENTRON
Design of the product	for 3NP1 fuse switch disconnectors, for modification to DIN rail mounting, for size NH00 for floor mounting

Accessories	
accessories	assembly kit

General Product Approval	Declaration of Conformity
--------------------------	---------------------------

**CB**

CB



GOST

**EAC**



EG-Konf.

## Further information

**Information- and Downloadcenter (Catalogs, Brochures,...)**

<http://www.siemens.com/lowvoltage/catalogs>

**Industry Mall (Online ordering system)**

<https://eb.automation.siemens.com/mall/en/WW/Catalog/Product/3NP19331EB00>

**Service&Support (Manuals, Certificates, Characteristics, FAQs,...)**

<http://support.automation.siemens.com/WW/view/en/3NP19331EB00/all>

**Image database (product images, 2D dimension drawings, 3D models, device circuit diagrams, ...)**

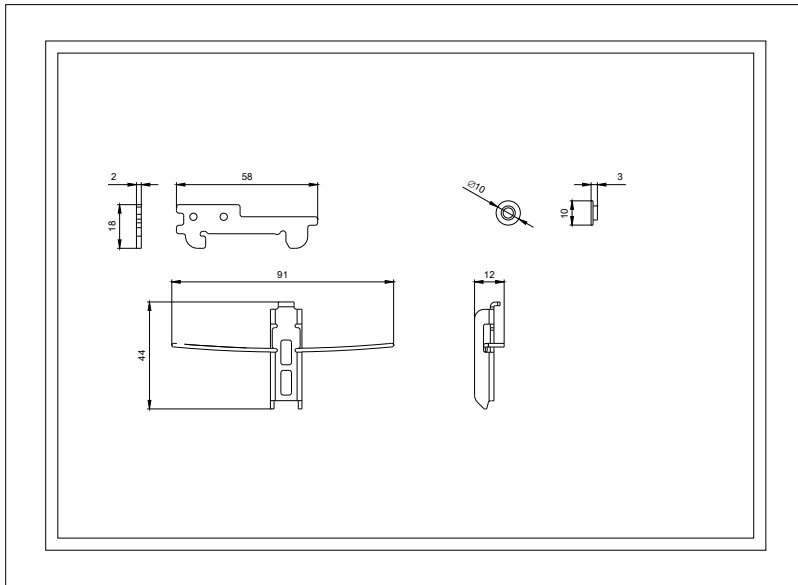
[http://www.automation.siemens.com/bilddb/cax\\_en.aspx?mfb=3NP19331EB00](http://www.automation.siemens.com/bilddb/cax_en.aspx?mfb=3NP19331EB00)

**CAX-Online-Generator**

<http://www.siemens.com/cax>

**Tender specifications**

<http://ausschreibungstexte.siemens.com/tiplv>



last modified:

11.03.2015